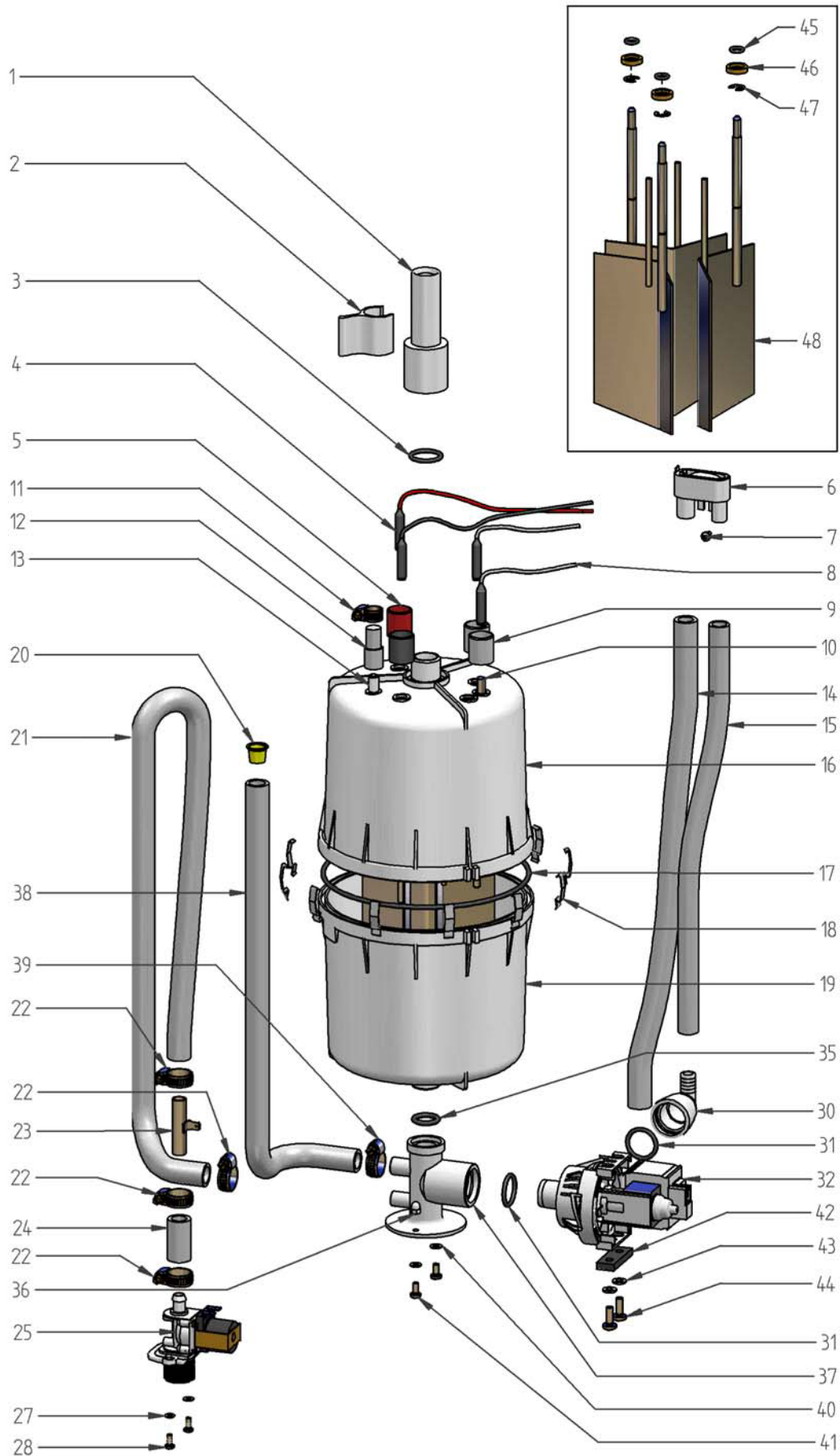
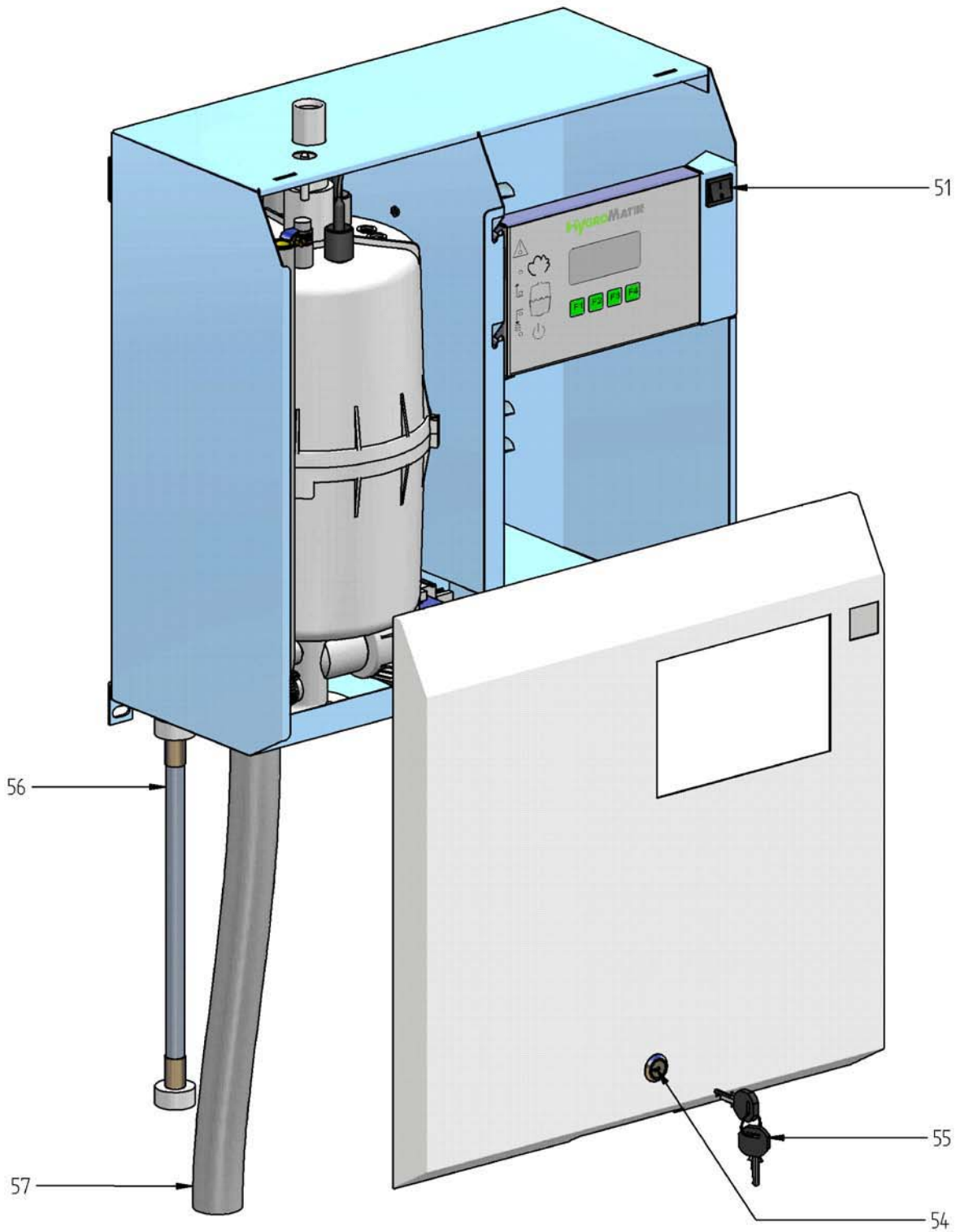


14. Exploded View



15. View of housing



11. Spare Parts

	HY05	HY13					HY90	Articel No.	Description
*	HY08	HY17	HY23	HY30	HY45	HY60	HY116		
55								E-2124010	Keys for safety, set=2pc.
54								E-2124012	Safety lock incl. 2 keys
									Steam generation
	1							B-3204031	Steam cylinder CY8 compl. with electrodes and hand nuts **
		1						B-2204101	Steam cylinder CY17 DN 25 compl. with electrodes and hand nuts **
			1					B-2204111	Steam cylinder CY17 DN 40 compl. with electrodes and hand nuts **
				1		2		B-2204105	Steam cylinder CY30 compl. with electrodes and hand nuts **
					1		2	B-2204109	Steam cylinder CY45 compl. with electrodes and hand nuts **
16	1							E-3226005	Top part of steam cylinder CY8 DN 25/12, empty
16		1						E-2206068	Top part of steam cylinder CY17 DN 25/12, empty
16			1					E-2206082	Top part of steam cylinder CY17 DN 40/12, empty
16				1		2		E-2206069	Top part of steam cylinder CY30 DN 40/12, empty
16					1		2	E-2207001	Top part of steam cylinder CY45 2 x DN 40/12, empty
19	1							B-3216007	Lower part of steam cylinder CY8 compl. with strainer **
19		1	1					B-2206046	Lower part of steam cylinder CY17 compl. with strainer **
19				1		2		B-2206071	Lower part of steam cylinder CY30 compl. with strainer **
19					1		2	B-2207002	Lower part of steam cylinder CY45 compl. with strainer **
17	1							E-3216010	O-ring seal for cylinder flange CY8, transparent cylinder
17		1	1					E-2206050	O-ring seal for cylinder flange CY17, transparent cylinder
17				1		2		E-2206051	O-ring seal for cylinder flange CY30, transparent cylinder
17					1		2	E-2207011	O-ring seal for cylinder flange CY45, transparent cylinder
35	1							E-3216011	O-ring seal for cylinder base
35		1	1	1	1	2	2	E-2204022	O-ring seal for cylinder base
48	1							B-3204019	Electrodes compl. with hand nuts, set=3pc. for CY8
48		1						B-2204081	Electrodes compl. with hand nuts, set=3pc. for CY17
48			1	1		2		B-2204083	Electrodes compl. with hand nuts, set=6pc. for CY17, CY30 DN40
48					1		2	B-2204085	Electrodes compl. with hand nuts, set=6pc. for CY45 DN40

	HY05	HY13					HY90	Articel No.	Description
*	HY08	HY17	HY23	HY30	HY45	HY60	HY116		
10	1							B-3204027	Sensor electrode compl. with hand nut
10		1	1	1	1	2	2	B-2204075	Sensor electrode compl. with hand nut
10	1	1	1	1	1	2	2	E-3216025	Plug-in contact with isolating hose for sensorelectrode
4	3							E-3216024	Plug-in contact with isolating hose for steam generating electrodes
4		3	6	6		12		E-2206059	Plug-in contact with isolating hose for steam generating electrodes
4					6		12	E-2207016	Plug-in contact with isolating hose for steam generating electrodes
18	12	18	18	24	24	48	48	E-3216022	Clamp for flange of transparent cylinder
37	1							E-3220000	Cylinder base DN20/25/15/12
37		1	1	1	1	2	2	E-2206086	Cylinder base DN40/25i/15/12
	1	1	1	1	1	1	1	B-3216023	Mounting set for Cylinder base
12	1	1	1	1	1	2	2	E-2204035	Condensate cap DN12
1	1							E-3221002	Adapter for steam hose DN25, CY8
1		1						E-2209000	Adapter for steam hose DN25, CY17
1			1					E-2209004	Adapter for steam hose DN40, CY17
1				1		4		E-2209006	Adapter for steam hose DN40, CY 30
1					2		4	E-2209008	Adapter for steam hose DN40, CY 45
2	1	1						E-3221004	Clip for adapter DN25
2			1	1	2	4	4	E-2209002	Clip for adapter DN40
3	1	1						E-3221006	O-ring for adapter DN25
3			1	1	2	4	4	E-2204022	O-ring for adapter DN40
	1							B-3216073	O-ring set CY8 (Pos. 3, 17, 35)
		1						B-2207021	O-ring set CY17 DN25 (Pos. 3, 17, 35)
			1					B-2207023	O-ring set CY17 DN40 (Pos. 3, 17, 35)
				1		2		B-2207025	O-ring set CY30 (Pos. 3, 17, 35)
					1		2	B-2207027	O-ring set CY45 (Pos. 3, 17, 35)
	1							B-3216079	maintenance set for steam cylinder CY8 ***
		1						B-2207029	maintenance set for steam cylinder CY17 DN25 ***
			1					B-2207031	maintenance set for steam cylinder CY17 DN40 ***
				1		2		B-2207033	maintenance set for steam cylinder CY30 ***
					1		2	B-2207035	maintenance set for steam cylinder CY45 ***
Water feed									
21	0,90	1,60	1,60	1,60	1,90	1,60	1,90	E-2604002	Connecting hose solenoid valve - cylinder base, per m
25	1							B-2304021	Solenoid valve, servo controlled, straight type, 0,2-10bar, 2,5 l/min.
25		1	1	1	1	2	2	B-2304023	Solenoid valve, servo controlled, straight type, 0,2-10bar, 3,5 l/min.
56	1	1	1	1	1	2	2	B-2304031	Hose for water connection, 3/4" cap nuts on both sides, seal included
	1							E-3320400	Flow rate controller 2,5 l/min
		1	1	1	1	2	2	E-2321100	Flow rate controller 3,5l /min
	1							B-2304055	Double solenoid valve for Super flush applications, 2.5l/min
		1	1	1	1	1	1	B-2304057	Double solenoid valve for Super flush applications, 23.5l/min
29	1	1	1	1	1	2	2	E-2304029	Fine filter in the inlet fitting of solenoid valve
38	0,40	0,70	0,70	0,70	0,80	0,70	0,80	E-2604004	Hose for manual water drain, per m
	1	1	1	1	1	2	2	E-2305002	seal for hose for water connection (B-2304031)

	HY05	HY13					HY90	Articel No.	Description
*	HY08	HY17	HY23	HY30	HY45	HY60	HY116		
20	1	1	1	1	1	1	1	E-2604062	Stopper, conical, lock for hose E-2604010
									Water drain
	1							B-3401017	Pump-drain-hose-system (Pos. 25 - 29)
		1	1					B-3401019	Pump-drain-hose-system (Pos. 25 - 29)
				1		2		B-3401013	Pump-drain-hose-system (Pos. 25 - 29)
					1		2	B-3401021	Pump-drain-hose-system (Pos. 25 - 29)
31	1	1	1	1	1	2	2	E-3220005	O-ring for pump-adapter
31	1	1	1	1	1	2	2	E-3220005	O-ring for cylinder base -pump
33		1	1	1	1	1	1	E-2404024	O-ring for drain pump (cover-motor)
32	1	1	1	1	1	2	2	B-2404027	Drain pump without mounting set
	1	1	1	1	1	2	2	B-2424014	Mounting set for drain pump
6	1	1	1	1	1	2	2	E-2425004	Elbow with vent pipe
57	1	1	1	1	1	2	2	E-2420423	Drain hose 1 1/4"
									Control
									universal
	1							E-2501005	Main contactor 16 A, 230 V
		1						E-2501006	Main contactor 24 A, 230 V
			1	1		2		E-2505007	Main contactor 40 A, 230 V
					1		2	E-0505009	Main contactor 63 A, 230 V
	1	1	1	1	1	2	2	E-2505206	Control fuse (fast acting) 1,6 A, 5x20 mm
4	1							B-3526019	Connecting cables for electrodes with plug-in contact, set=3pc
4		1						B-2524201	Connecting cables for electrodes with plug-in contact, set=3pc
4			1					B-2524205	Connecting cables for electrodes with plug-in contact, set=6pc
4				1				B-2524209	Connecting cables for electrodes with plug-in contact, set=6pc
4					1			B-2524213	Connecting cables for electrodes with plug-in contact, set=6pc
4						1		B-2524217	Connecting cables for electrodes with plug., short, set=6pc
4						1		B-2524221	Connecting cables for electrodes with plug., long, set=6pc
4							1	B-2524225	Connecting cables for electrodes with plug., short, set=6pc
4							1	B-2524229	Connecting cables for electrodes with plug., long, set=6pc
									Steam generation with electrical supply higher than 500V
		1	1					E-2206054	O-ring CY17, silicone, for cylinder flange
				1		2		E-2206056	O-ring CY30, silicone, for cylinderflange
					1		2	E-2207014	O-ring CY45, silicone, for cylinderflange
		1						B-2208007	Cylinder star CY17/3
			1					B-2208013	Cylinder star CY17/6
				1		2		B-2208009	Cylinder star CY 30
					1		2	B-2208011	Cylinder star CY 45
		2,5	5	8		16		E-9000110	Cable H07V-K2,5 [m]
		3	6	6		12		E-2206059	Plug-in conatct for electrode 35A
					8		16	E-9000132	Cable H07V-K6,0 [m]
					6		12	E-2207016	Plug-in conatct for electrode 63A

	HY05	HY13					HY90	Articel No.	Description
*	HY08	HY17	HY23	HY30	HY45	HY60	HY116		
									Control, electrical supply higher than 500V
		1	1	1	1	2	2	E-2504158	Transformer 690V/230V, 25VA
		1	1	1	1	2		E-2504168	Transformer 480V-500V/230V
		1	1	1	1	2	2	E-2504160	Transformer 600V/230V
		1	1	1	1	2	2	E-2504166	Transformer 690V/230V, 130VA
						1		E-2507024	Main contactor 60A, 230 V/690V
			1	1		2	2	E-2507022	Main contactor 40A, 230 V/690V
		1						E-2507018	Main contactor 25A, 230 V/690V
		1	1	1	1	2	2	E-2590102	Line safety switch, 1 A
									Control, electrical supply between 416V and 480V
					1		1	E-2507024	Main contactor 60 A, 230 V/690V
		1	1	1		2		E-2507022	Main contactor 40 A, 230 V/690V
	1	1						E-2507018	Main contactor 25 A, 230 V/690V
	1	1	1	1	1	2	2	E-2504157	Transformer 208V-460V/230V
	1	1	1	1	1	2	2	E-2504168	Transformer 480V/230V
									Control, electrical supply below 230V
					1			E-2504092	Main contactor 100 A, 230 V
			1	1		2		E-0505009	Main contactor 63 A, 230 V
		1						E-2505007	Main contactor 40 A, 230 V
	1							E-2501006	Main contactor 24 A, 230 V
				1				B-2524015	Cable for electrode 35A/6mm ²
									Basic Control
	1	1	1	1	1	2	2	B-2526201	Basic Mainboard
52	1	1	1	1	1	2	2	E-2502412	Control switch, double pole
	1	1	1	1	1	2	2	B-2120901	Mounting plate for Basic
									Comfort Control
	1	1	1	1	1	2	2	B-2526201	Basic Mainboard
52	1	1	1	1	1	2	2	E-2502412	Control switch, double pole
	1	1	1	1	1	1	1	B-2120903	Mounting plate (Comfort)
	1	1	1	1	1	1	1	E-2526401	Display (Comfort)
						1	1	B-2120901	Mounting plate for Basic
									Comfort Plus
	1	1	1	1	1	2	2	B-2526201	Basic Mainboard
52	1	1	1	1	1	2	2	E-2502412	Control switch, double pole
	1	1	1	1	1	1	1	B-2120905	Mounting plate (Comfort Plus)
	1	1	1	1	1	1	1	E-2526403	Display (Comfort Plus)
						1	1	B-2120901	Mounting plate for Basic
									DS-Control
	1	1	1	1	1			B-2526211	DS-Basic Mainboard
52	1	1	1	1	1			E-2502412	Control switch, single pole, middle position "0"
	x	x	x	x	x			B-2120903	Mounting plate (Comfort)
	x	x	x	x	x			B-2120905	Mounting plate (Comfort Plus)
	x	x	x	x	x			E-2526401	Display (Comfort)
	x	x	x	x	x			E-2526403	Display (Comfort Plus)

	HY05	HY13					HY90	Articel No.	Description
*	HY08	HY17	HY23	HY30	HY45	HY60	HY116		
	x	x	x	x	x			E-0605228	Temperature sensor TF104
	x	x	x	x	x			B-2505207	Holder for temperature sensor TF104 incl. mounting set
	x	x	x	x	x			E-2505206	Fuse for light, fan, essence injector 1.6A, 5x20mm
	x	x	x	x	x			E-2504039	Fuse for transformer 5A, 5x20mm
	x	x	x	x	x			E-2504154	Transformer 230/24V/130VA
									Essence injection
	x	x	x	x	x			B-2604091	Peristaltic pump DSP9911; 230V/50Hz; 50ml/min
	x	x	x	x	x			B-2604083	Peristaltic pump DSP9911; 24V/50Hz; 50ml/min
	x	x	x	x	x			E-2604072	Hose for peristaltic pump DSP9431 (until 06/2002)
	x	x	x	x	x			E-2604074	Hose for peristaltic pump DSP9111 (since 07/2002)
	x	x	x	x	x			E-2604076	hose connector for silicon hoses, 6mm
	x	x	x	x	x			E-2604070	Hose for essence injection; silicon 6x1,5
	x	x	x	x	x			B-2604067	T-piece for essence injection (DN25)
	x	x	x	x	x			B-2604069	T-piece for essence injection (DN40)
									Accessoires
	x	x						E-2604012	Steam hose DN 25, per m
			x	x	x	x	x	E-2604013	Steam hose DN 40, per m
	x	x	x	x	x	x	x	E-2604002	Condensate hose DN 12, per m
	x	x						E-2404004	Steam hose clamp DN 25
			x	x	x	x	x	E-2604016	Steam hose clamp DN 40
	x	x	x	x	x	x	x	E-2304015	Condensate hose clamp
	x	x						B-2604026	Steam solenoid valve 0-0,4 bar, cpl. for steam hose DN 25
			x	x	x	x	x	B-2604040	Steam solenoid valve 0-0.4 bar, cpl. for steam hose DN 40
	x	x						E-2604042	Steam connector, T-piece DN 25, stainless steel
			x	x	x	x	x	E-2604023	Steam connector, T-piece DN 40, stainless steel
	x	x	x	x	x	x	x	E-2604021	Connectors for condensate T-piece DN 12
	x							B-2208005	Cylinder star, complete
		x						B-2208007	Cylinder star, complete
			x					B-2208013	Cylinder star, complete
				x		x		B-2208009	Cylinder star, complete
					x		x	B-2208011	Cylinder star, complete
	x	x						B-2304063	Super flush, upgrade kit **
			x	x	x	x	x	B-2304065	Super flush, upgrade kit **
	x	x	x	x	x	x	x	B-2304031	Water connection hose, flexible, 0.6 m 3/4", with connector

If you order any spare parts, specify type and serial number of the unit, please.

* see Exploded View

** If the Super Flush System is installed, consider to order also a new nozzle (B-2304079), please.

The nozzle will be already installed in the lower part of steam cylinder.

*** Maintenance set consists of: electrodes (without hand nuts), O-ring for steam hose adapter, O-ring for cylinder flange, O-ring cylinder base.