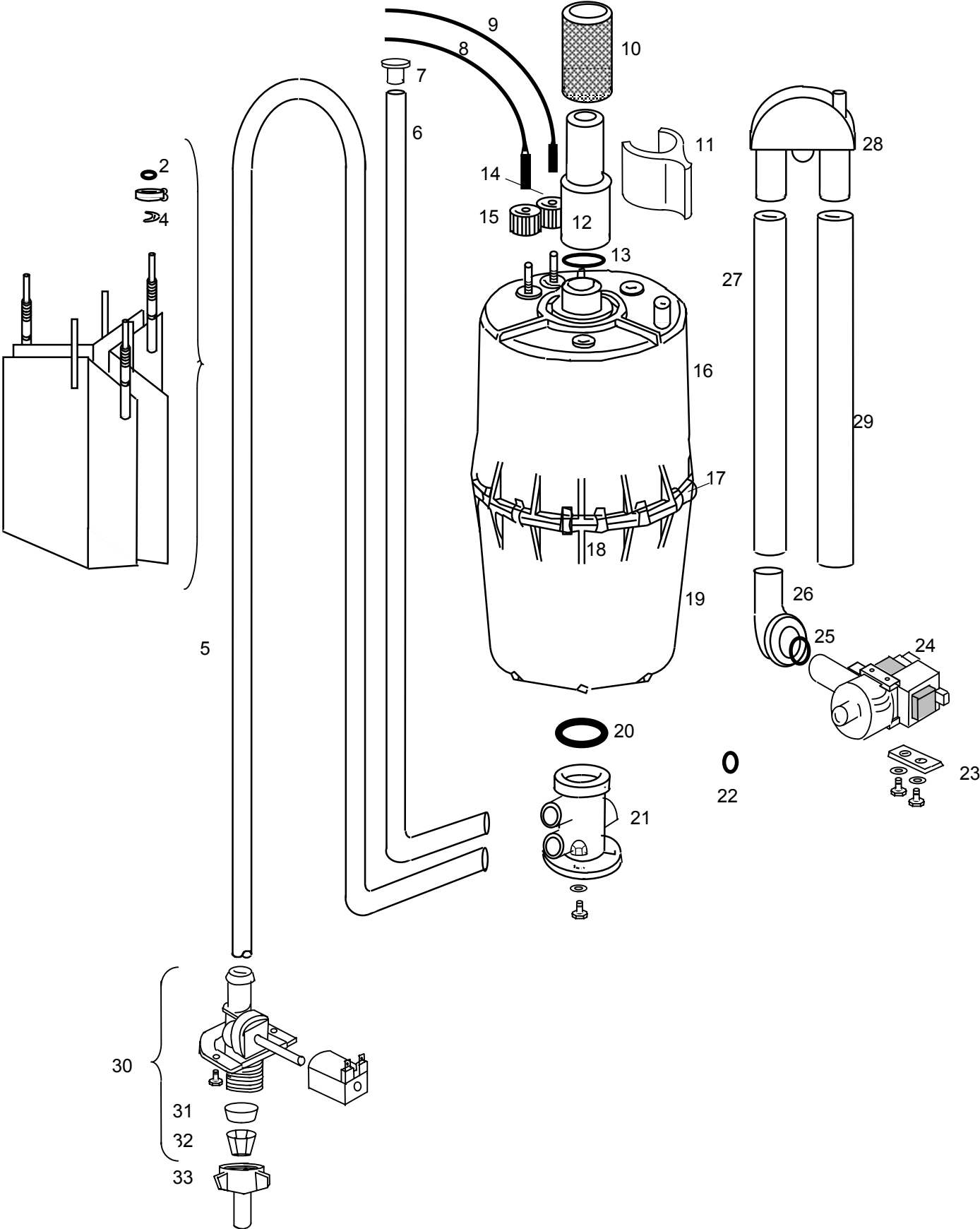


5.1 Exploded View Illustration



*	HY1	HY2	HY3	HY4	HY5	HY6	HY7	Articel No.	Description
								E-2124010	Keys for safety, set=2pc.
								E-2124012	Safety lock incl. 2 keys
								Steam generation	
	1							B-3204031	Steam cylinder CY8 compl. with electrodes and hand nuts *
		1						B-2204101	Steam cylinder CY17 DN 25 compl. with electrodes and hand nuts *
			1					B-2204111	Steam cylinder CY17 DN 40 compl. with electrodes and hand nuts *
				1			2	B-2204105	Steam cylinder CY30 compl. with electrodes and hand nuts *
					1			B-2204109	Steam cylinder CY45 compl. with electrodes and hand nuts *
16	1							E-3226005	Top part of steam cylinder CY8 DN 25/12, empty
16		1						E-2206068	Top part of steam cylinder CY17 DN 25/12, empty
16			1					E-2206082	Top part of steam cylinder CY17 DN 40/12, empty
16				1			2	E-2206069	Top part of steam cylinder CY30 DN 40/12, empty
16					1			E-2207001	Top part of steam cylinder CY45 2 x DN 40/12, empty
19	1							B-3216007	Lower part of steam cylinder compl. with strainer *
19		1	1					B-2206046	Lower part of steam cylinder compl. with strainer *
19				1			2	B-2206071	Lower part of steam cylinder compl. with strainer *
19					1			B-2207002	Lower part of steam cylinder compl. with strainer *
17	1							E-3216010	O-ring seal for cylinder flange, transparent cylinder
17		1	1					E-2206050	O-ring seal for cylinder flange, transparent cylinder
17				1			2	E-2206051	O-ring seal for cylinder flange, transparent cylinder
17					1			E-2207011	O-ring seal for cylinder flange, transparent cylinder
20	1							E-3216011	O-ring seal for cylinder base
20		1	1	1	1		2	E-2204022	O-ring seal for cylinder base
1	1							B-3204019	Electrodes compl. with hand nuts, set=3pc. for CY8
1		1						B-2204081	Electrodes compl. with hand nuts, set=3pc. for CY17
1			1	1			2	B-2204083	Electrodes compl. with hand nuts, set=6pc. for CY17, CY30 DN40
1					1			B-2204085	Electrodes compl. with hand nuts, set=6pc. for CY45 DN40
	1							B-3204027	Sensor electrode compl. with hand nuts
		1	1	1	1		2	B-2204075	Sensor electrode compl. with hand nuts
	1	1	1	1	1		2	E-3216025	Plug-in contact with isolating hose for sensorelectrode
	3							E-3216024	Plug-in contact with isolating hose for steam generating electrodes
		3	6	6			12	E-2206059	Plug-in contact with isolating hose for steam generating electrodes
					6		12	E-2207016	Plug-in contact with isolating hose for steam generating electrodes
18	12	18	18	24	24	48	48	E-3216022	Clamp for flange of transparent cylinder
21	1							E-3220000	Cylinder base DN20/25/15/12
21		1	1	1	1	2	2	E-2206086	Cylinder base DN40/25/15/12
	1	1	1	1	1	1	1	B-3216023	Mounting set for Cylinder base
	1	1	1	1	1		2	E-2204035	Condensate plug DN12
12	1							E-3221002	Adapter for steam hose DN25, CY8
12		1						E-2209000	Adapter for steam hose DN25, CY17
12			1					E-2209004	Adapter for steam hose DN40, CY17
12				1			2	E-2209006	Adapter for steam hose DN40, CY 30
12					1			E-2209008	Adapter for steam hose DN40, CY 45
11	1	1						E-3221004	Clip for adapter DN25
11			1	1	1		2	E-2209002	Clip for adapter DN40
13	1	1						E-3221006	O-ring for adapter DN25
13			1	1	1		2	E-2209010	O-ring for adapter DN40

* see diagram 5.1

*	HY1	HY2	HY3	HY4	HY5	HY6	HY7	Articel No.	Description
Water feed									
5	0,90	1,60	1,60	1,60	1,90	1,60	1,90	E-2604014	Connecting hose solenoid valve - cylinder base
30	1							B-2304021	Solenoid valve, servo controlled, straight type, 0,2-10bar, 2,5 l/min.
30		1	1	1	1	2	2	B-2304023	Solenoid valve, servo controlled, straight type, 0,2-10bar, 3,5 l/min.
	1	1	1	1	1	2	2	B-2304031	Hose for water connection, 3/4" cap nuts on both sides
31	1							E-3320400	Flow rate controller 2,5 l/min
31		1	1	1	1	2	2	E-2321100	Flow rate controller 3,5l /min
32	1	1	1	1	1	2	2	E-2304029	Fine filter in the inlet fitting of solenoid valve
6	0,40	0,70	0,70	0,70	0,80	0,70	0,80	E-2604010	Manual water drain
7	1	1	1	1	1	1	1	E-2604062	Stopper, conical, lock for hose E-2604010
Water drain									
	1							B-3401003	Pump-drain-hose-system (Pos. 25 - 29)
		1	1					B-3401005	Pump-drain-hose-system (Pos. 25 - 29)
				1		2		B-3401007	Pump-drain-hose-system (Pos. 25 - 29)
					1		2	B-2401109	Pump-drain-hose-system (Pos. 25 - 29)
25	1	1	1	1	1	2	2	E-3220005	O-ring for pump-adapter
22	1	1	1	1	1	2	2	E-3220005	O-ring for cylinder base -pump
			1	1	1	1	1	E-2404024	O-ring for drain pump (cover-motor)
24	1	1	1	1	1	2	2	B-2404021	Drain pump without mounting set
23	1	1	1	1	1	2	2	B-2424014	Mounting set for drain pump
Electronic universal									
	1							E-2501005	Main contactor 16 A, 230 V
		1						E-2501006	Main contactor 24 A, 230 V
			1	1		2		E-2505007	Main contactor 40 A, 230 V
					1		2	E-0505009	Main contactor 63 A, 230 V
	1	1	1	1	1	2	2	E-2505206	Control fuse 1,6 A, 5x20 mm
8	1							B-3526017	Connecting cables for electrodes with plug-in contact, set=3pc
8		1						B-2524019	Connecting cables for electrodes with plug-in contact, set=3pc
8			1	1				B-2524017	Connecting cables for electrodes with plug-in contact, set=6pc
8					1			B-2524139	Connecting cables for electrodes with plug-in contact, set=6pc
8						1		B-2524141	Connecting cables for electrodes with plug., short, set=6pc
8							1	B-2524143	Connecting cables for electrodes with plug., long, set=6pc
8							1	B-2524145	Connecting cables for electrodes with plug., short, set=6pc
8							1	B-2524147	Connecting cables for electrodes with plug., long, set=6pc
L3-electronic									
	1	1	1	1	1	2	2	B-3504071	L3-electronic pcb without module holder
	1	1	1	1	1	2	2	E-2502412	Control switch,single pole, middle position "0"
	1	1	1	1	1	2	2	B-2120851	Mounting plate for electronics with foil
EMP-electronic									
	1	1	1	1	1	2	2	B-2525177	EMP-electronic with display and control unit
	1	1	1	1	1	2	2	E-2502414	Control switch, double-pole
	1	1	1	1	1	2	2	B-2120853	Mounting plate for electronics with foil

* see diagram 5.1

*	HY1	HY2	HY3	HY4	HY5	HY6	HY7	Artikel Nr.	Description
									LD-electronic
	1	1	1	1	1			E-2525212	Steam bath control version V without sensor
	1	1	1	1	1			E-0605226	Temperature sensor for DS-electronic
	3	3	3	3	3			E-2505206	Fuse for light, fan, essence injector 1.6A, 5x20mm
	1	1	1	1	1			E-2504154	Transformer 230/24V/130VA
									DS-electronic
	1	1	1	1	1			E-2525170	DS-electronic with display and control unit
	1	1	1	1	1			E-2502414	Control switch, double-pole
	x	x	x	x	x			B-2120853	Mounting plate for electronics with foil
	x	x	x	x	x			E-0605228	Temperature sensor for steam bath control version V
	x	x	x	x	x			B-2505207	Holder for temperature sensor incl. mounting set
	x	x	x	x	x			E-0610151	Humidity sensor, type FG80 UAC 24 V AC/DC / 0-10 V
	x	x	x	x	x			E-2505206	Fuse for light, fan, essence injector 1.6A, 5x20mm
	x	x	x	x	x			E-3516026	Fuse for transformer 2A, 5x20mm
	x	x	x	x	x			E-2504154	Transformer 230/24V/130VA
	x	x	x	x	x			E-2502402	Main contactor 20A / 24 V AC, Heater
									Essence injector
	1	1	1	1	1			B-2605000	Essence injector, complete
	1	1	1	1	1			B-2304014	Solenoid valve for essence injecton, 24V/50-60Hz
	1	1	1	1	1			E-2305004	Seal set for solenoid valve for essence injection
	1	1	1	1	1			E-8501035	Woven hose 13x3.5mm, lg.:600mm
									Accessoires
10	x	x						E-2604012	Steam hose DN 25, per m
10			x	x	x	x	x	E-2604013	Steam hose DN 40, per m
	x	x	x	x	x	x	x	E-2604014	Condensate hose DN 12, per m
	x	x						E-2404004	Steam hose clamp DN 25
			x	x	x	x	x	E-2604016	Steam hose clamp DN 40
	x	x	x	x	x	x	x	E-2304015	Condensate hose clamp
	x	x						B-2604026	Steam solenoid valve 0-0,4 bar, cpl. for steam hose DN 25
			x	x	x	x	x	B-2604040	Steam solenoid valve 0-0.4 bar, cpl. for steam hose DN 40
	x	x						E-2604019	Connectors for steam distribution T-piece DN 25
			x	x	x	x	x	E-2604020	Connectors for steam distribution T-piece DN 40
	x	x	x	x	x	x	x	E-2604021	Connectors for condensate T-piece DN 12
	x							B-2208005	Cylinder star
		x						B-2208007	Cylinder star
			x					B-2208013	Cylinder star, CY 17 DN 40
				x			x	B-2208009	Cylinder star
					x		x	B-2208011	Cylinder star
	x	x						B-2304063	Super flush complete
			x	x	x	x	x	B-2304065	Super flush complete

* see diagram 5.1

If you order any spare parts, specify type and serial number of the unit, please.

* If the Super Flush System is installed, consider to order also a new nozzle (B-2304079), please.
Die Düse ist dann bereits im Zylinderunterteil eingebaut.