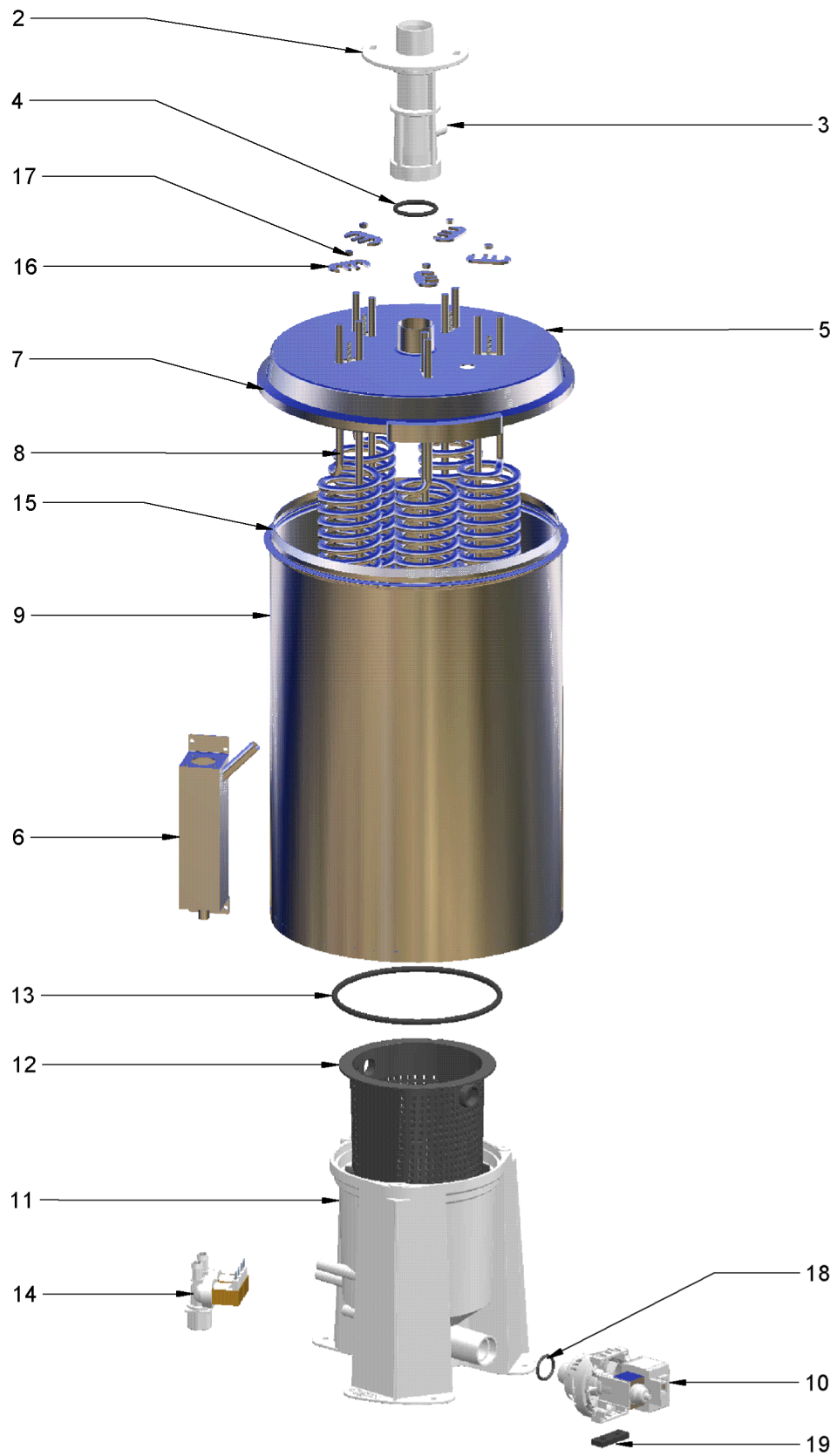
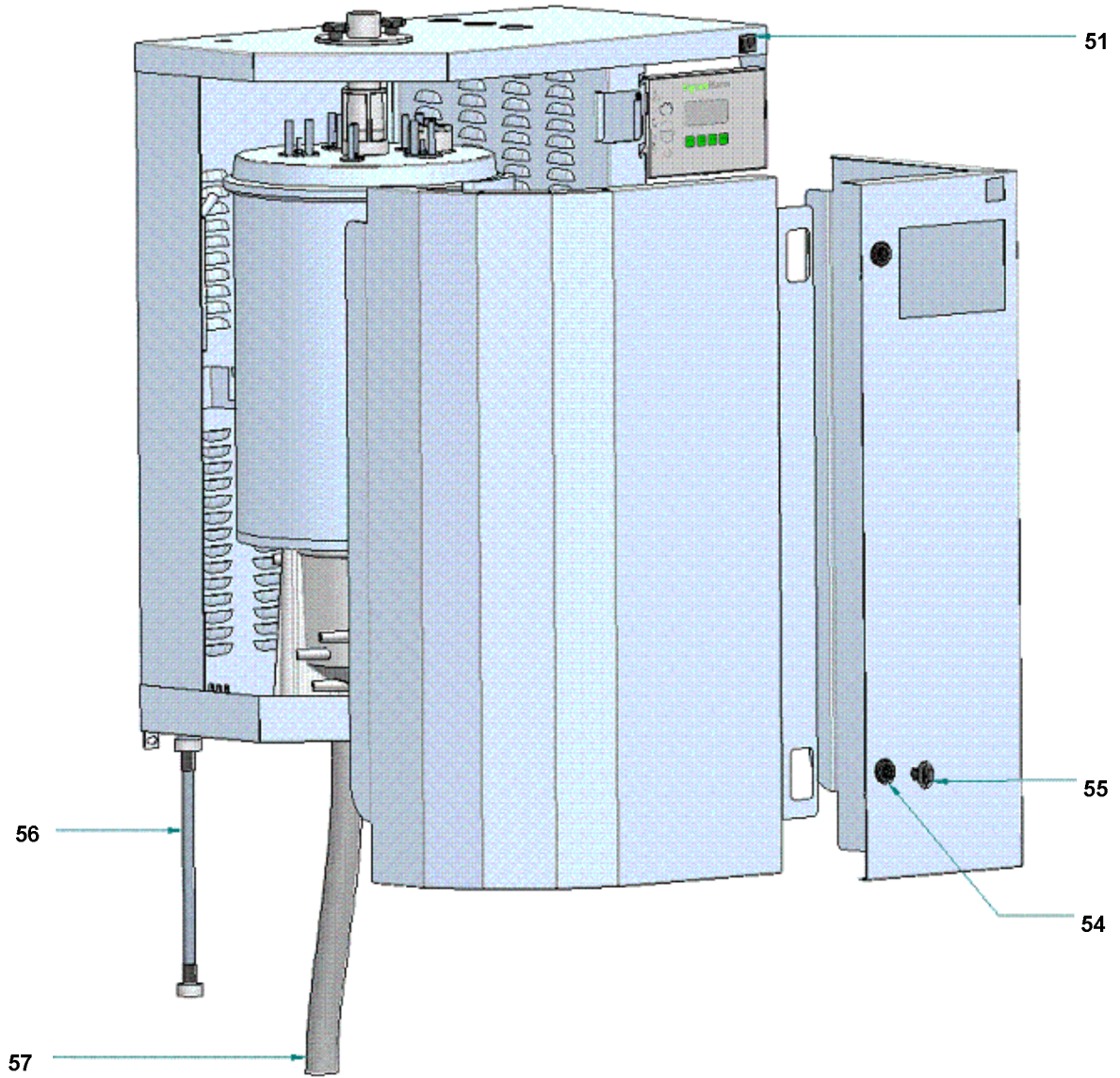


### 14. Exploded View



## 15. View of Cabinet



## 11. Spare Parts

*	HL6	HL9	HL12	HL18	HL24	HL30	HL36	HL45	Article No.	Description
										<b>Cabinet</b>
	1	1	1	1	1				B-2129001	Cabinet HL 6-24
						1	1	1	B-2129003	Cabinet HL 30-45
	1	1	1	1	1	1	1	1	E-2120910	Mounting plate e-compartment
										<b>Steam Generation</b>
	1								B-2205315	Cylinder compl. incl. 1 heater element 4,5 kW, 1 thermal sensor and terminal
		1							B-2205317	Cylinder compl. incl. 1 heater element 6,75 kW, 1 thermal sensor and terminal
			1						B-2205319	Cylinder compl. incl. 2 heater element 4,5 kW, 1 thermal sensor and terminal
				1					B-2205321	Cylinder compl. incl. 2 heater element 6,75 kW, 1 thermal sensor and terminal
					1				B-2205323	Cylinder compl. incl. 4 heater element 4,5 kW, 1 thermal sensor and terminal
						1			B-2205325	Cylinder compl. incl. 5 heater element 4,5 kW, 1 thermal sensor and terminal
							1		B-2205327	Cylinder compl. incl. 4 heater element 6,75 kW, 1 thermal sensor and terminal
								1	B-2205329	Cylinder compl. incl. 5 heater element 6,75 kW, 1 thermal sensor and terminal
5	1	1							E-2205070	Cover for cylinder, small, for 1 heater element and 1 thermal sensor
5			1	1					E-2205072	Cover for cylinder, small, for 2 heater element and 1 thermal sensor
5					1				E-2205074	Cover for cylinder, small, for 4 heater element and 1 thermal sensor
5							1		E-2205066	Cover for cylinder, big, for 4 heater element and 1 thermal sensor
5						1		1	E-2205068	Cover for cylinder, big, for 5 heater element and 1 thermal sensor
9	1	1	1	1	1				E-2205078	Cylinder- lower part, small
9						1	1	1	E-2205076	Cylinder- lower part, big
	1	1	1	1	1				E-2205104	Belt for HL cylinder fixation, short
						1	1	1	E-2205106	Belt for HL cylinder fixation, long
15	1	1	1	1	1				E-2205086	O-ring, cylinder lower part - cylinder cover, small
15						1	1	1	E-2205084	O-ring, cylinder lower part - cylinder cover, big
8	1		2		4	5			B-2205083	Heater element, 400V/4,5 kW incl. gasket, plates
8		1		2			4	5	B-2205085	Heater element, 400V/6,75 kW incl. gasket, plates
	1	1	1	1					E-2525504	Terminal 6 pole, 16mm <sup>2</sup>
					1	1	1	1	E-2525500	Terminal 9 pole, 16mm <sup>2</sup>
	1	1	1	1	1	1	1	1	E-2205027	Thermal sensor incl. sealing
	1	1	1	1	1	1	1	1	E-2205029	Protection cap for thermal sensor
	4	4	8	8	8	8	8	8	E-2205028	Clamp for thermal sensor
2	1	1	1	1	1	1	1	1	E-2205058	Steam hose adapter DN40
3	1	1	1	1	1	1	1	1	B-2304067	Nozzle for steam hose adapter
	1	1	1	1	1	1	1	1	E-2209002	Clip for steam hose adapter DN40
4	1	1	1	1	1	1	1	1	E-2204022	O-ring for steam hose adapter DN40
	2	2	2	2	2	2	2	2	E-2205088	Star knob screw, fixation steam hose adapter HL

*	HL6	HL9	HL12	HL18	HL24	HL30	HL36	HL45	Article No.	Description
<b>Water Feed HL</b>										
14	1	1	1	1	1	1	1	1	B- 2304057	Double solenoid valve, 0.2-10 bar, 200-240VAC, 3.5 l/min
	1	1	1	1	1	1	1	1	E- 2304029	Fine filter in solenoid valve
	1	1	1	1	1	1	1	1	E- 2304103	Captive coupling ring for solenoid valve 3/4"
	1	1	1	1	1	1	1	1	E- 2304107	Gasket for inlet screwed fitting, solenoid
	1	1	1	1	1	1	1	1	E- 8501034	Hose collar for inlet screwed fitting, 3/4", solenoid
56	1	1	1	1	1	1	2	2	B- 2304031	Hose for water connection, 3/4" cap nuts on both sides, seal included
	1	1	1	1	1	1	1	1	E- 2304036	Rubber seal solenoid valve - cabinet
	1	1	1	1	1	1	1	1	B- 2304040	Mounting set for solenoid valve
	0,3	0,3	0,3	0,3	0,3	0,3	0,3	0,3	E-2604002	Hose, solenoid valve - cabinet (2 pcs. required)
	1	1	1	1	1	1	1	1	E- 2604044	Buckling protection for hose, solenoid valve - cylinder base
6	1	1	1	1	1	1	1	1	B- 2504129	Control cylinder for water level, compl. with flow switch
6	1	1	1	1	1	1	1	1	E- 2504174	Control cylinder for water level, without flow switch
	1	1	1	1	1	1	1	1	E- 2525246	Flow switch
	1	1	1	1	1	1	1	1	E- 2304038	Rubber seal for water level control
	0,3	0,3	0,3	0,3	0,3	0,3	0,3	0,3	E-2604002	Hose, cylinder base - control cylinder
	0,3	0,3	0,3	0,3	0,3	0,3	0,3	0,3	E-2604002	Hose, control cylinder - steam hose adapter
	1	1	1	1	1	1	1	1	E- 2604002	Hose for manual drain
	1	1	1	1	1	1	1	1	E- 2604021	T-piece, condensate manifold, type TS12, DN12
	1	1	1	1	1	1	1	1	E- 2204035	Condensate plug DN12
<b>Water Drain HL</b>										
11	1	1	1	1	1	1	1	1	E- 2205050	Cylinder base
12	1	1	1	1	1	1	1	1	E- 2205052	Strainer basket
13	1	1	1	1	1	1	1	1	E- 2205056	O-ring, cylinder base - steam cylinder
10	1	1	1	1	1	1	1	1	B- 2404027	Drain pump 230V/50-60Hz without mounting set
19	1	1	1	1	1	1	1	1	B- 2424014	Mounting set for drain pump
	1	1	1	1	1	1	1	1	E- 2404008	Drain pump housing
18	1	1	1	1	1	1	1	1	E- 3220005	O-ring, cylinder base - drain pump
	1	1	1	1	1	1	1	1	E- 2425002	Adapter, pump - drain hose, straight model, connections DN25/13
	1	1	1	1	1	1	1	1	E- 3220005	O-ring for drain pump
	1	1	1	1	1	1	1	1	E- 2425004	Elbow with vent pipe
	0,8	0,8	0,8	0,8	0,8	0,9	0,9	0,9	E-2604002	Hose, drain pump - elbow
	0,8	0,8	0,8	0,8	0,8	0,9	0,9	0,9	E-2604004	Drain hose, elbow - outlet

*	HL6	HL9	HL12	HL18	HL24	HL30	HL36	HL45	Article No.	Description
										<b>Control</b>
	1								E-2501005	Main contactor 16A, 230V, 50/60Hz
		1	1						E-2501006	Main contactor 24A, 230V, 50/60Hz
				1					E-2505007	Main contactor 40A, 230V, 50/60Hz
					1	1	1	1	E-0505009	Main contactor 63A, 230V, 50/60Hz
	1	1							B-2602001	Solid state relay 25 A, 1ph., heat sink (150 x 50) mm,
			1	1					B-2602003	Solid state relay 50 A, 2ph., heat sink (150 x 50) mm
					1				B-2602005	Solid state relay 50 A, 2ph., heat sink (150 x 80) mm
						2	2		B-2602007	Solid state relay 75 A, 1ph., heat sink (150 x 50) mm
								2	B-2602009	Solid state relay 75 A, 1ph., heat sink (150 x 80) mm
	1	1							E-2205110	Solid state relay 25 A, 1ph.
			1	1	1				E-2205112	Solid state relay 50 A, 2ph.
						2	2	2	E-2205114	Solid state relay 75 A, 1ph.
	1	1				2	2	2	E-2205100	Protection cap against contact without cutout
			1	1	1				E-2205102	Protection cap against contact with cutout
	1	1	1	1		2	2		E-2205116	heat sink (150 x 50) mm
					1			2	E-2205118	heat sink (150 x 80) mm
	1	1	1	1	1	2	2	2	E-2205108	Thermal circuit breaker with manual reset, 100°C ± 5K
	1	1	1	1					E-2525506	Terminal 6 pole, 6mm <sup>2</sup> (mounted)
					1	1	1	1	E-2525502	terminal 9pole, 6mm <sup>2</sup> (mounted)
										<b>Basic</b>
	1	1	1	1	1	1	1	1	B-2526203	Electronic pcb Basis for HL
	(1)	(1)	(1)	(1)	(1)	(1)	(1)	(1)	B-2526213	Electronic pcb Basis for HL steambath
	1	1	1	1	1	1	1	1	B-2120901	Mounting plate with foil for Basic (without display)
	1	1	1	1	1	1	1	1	E-2525410	Foil for mounting plate, type Basic
	(1)	(1)	(1)	(1)	(1)	(1)	(1)	(1)	B-2526301	Relais pcb for Basis pcb
										<b>Comfort</b>
	(1)	(1)	(1)	(1)	(1)	(1)	(1)	(1)	B-2526401	Comfort display incl. mounting plate with foil mounting plate with foil for Comfort unit with display
	(1)	(1)	(1)	(1)	(1)	(1)	(1)	(1)	B-2120903	Mounting plate with foil for Comfort Plus with display
	(1)	(1)	(1)	(1)	(1)	(1)	(1)	(1)	E-2525412	Foil for mounting plate type Comfort
										<b>Comfort Plus</b>
	(1)	(1)	(1)	(1)	(1)	(1)	(1)	(1)	B-2526403	Comfort Plus display incl. mounting plate with foil
	(1)	(1)	(1)	(1)	(1)	(1)	(1)	(1)	B-2120905	Mounting plate with foil for Comfort Plus with display
	(1)	(1)	(1)	(1)	(1)	(1)	(1)	(1)	B-2120907	Mounting plate with foil for Comfort Plus with master pcb, display and foil (available soon)
	(1)	(1)	(1)	(1)	(1)	(1)	(1)	(1)	E-2525414	Foil for mounting plate Comfort Plus

*	HL6	HL9	HL12	HL18	HL24	HL30	HL36	HL45	Article No.	Description
										Acessories
	1	1	1	1	1				B-3216091	O-ringset for HL 6 - 24
						1	1	1	B-3216093	O-ringset for HL 30 - 45
	1	1	1						E-2604031	Reducing piece DN 40/DN 25 for steam hose
									E-2604012	Steam hose DN 25, per m
									E-2604013	Steam hose DN 40, per m
									E-2604002	Condensate hose DN 12, per m
									E-2604004	hose, vent - outlet (14,2 x 3 mm)
									E-2404004	Steam hose clamp DN 25
									E-2604016	Steam hose clamp DN 40
									E-2304015	Condensate hose clamp DN 12
									E-2604042	Steam manifold T-piece DN 25, stainless steel
						1	1	1	E-2604023	Steam manifold T-piece DN 40, stainless steel
						1	1	1	E-2604021	Condensate connector T-piece DN 12
									B-2604026	Steam solenoid valve 0-0,4 bar, compl. for steam hose DN 25
									B-2604040	Steam solenoid valve 0-0,4 bar, compl. for steam hose DN 40
									E-2604029	Hose nozzle DN 25 - R 3/4"
	2	2	2	2	2	2	2	2	E-2504031	Driller (17-21mm)

If you order any spare parts, specify type and serial number of the unit, please.

\* see exploded view