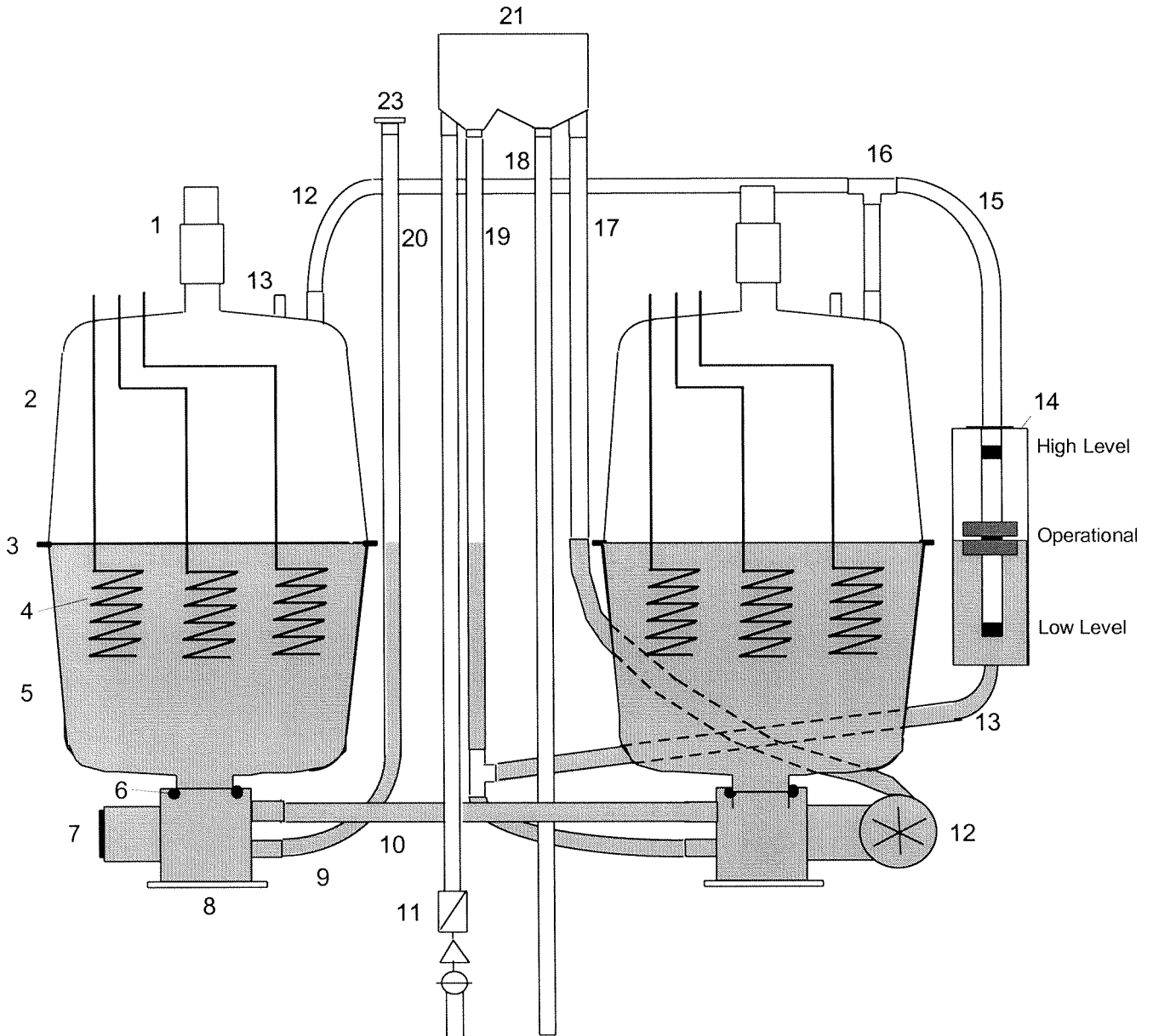
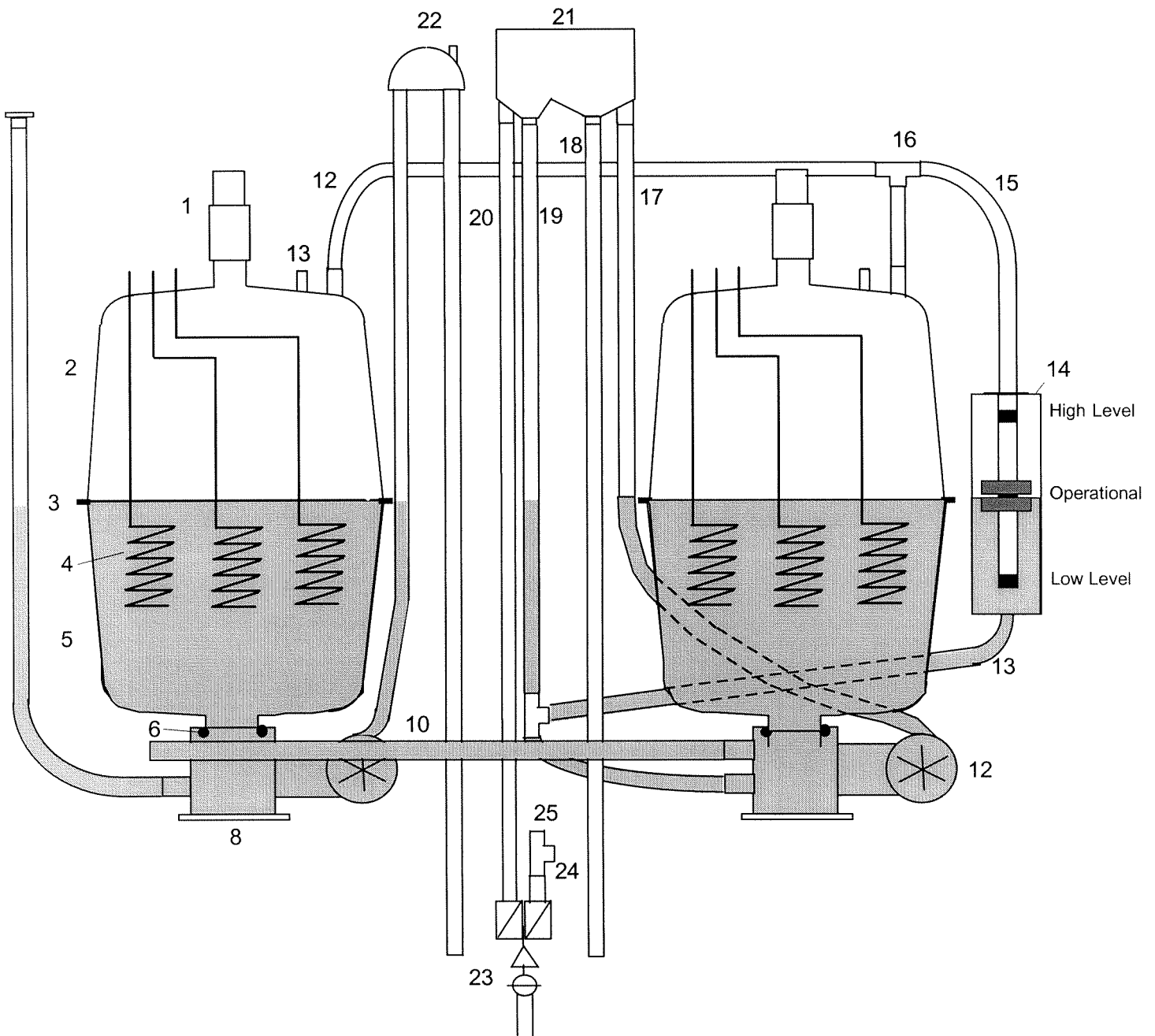


DBV-P



DBV-UP



*	DBV-(U)										Articla No.	Description
	65	95	125	175	265	305	355	435	525			
												Cabinet
12	1	1	1	1	1						B-2120407	Cabinet DBV 65-265
						1	1	1	1		B-2120607	Cabinet DBV 305-525
												Steam Generation
	1					1					B-2205035	DBV cylinder compl. with 1 heater 4.5 kW and 1 thermal monitor
			1			1					B-2205036	DBV cylinder compl. with 2 heaters 4.5 kW and 2 thermal monitors
						1					B-2205037	DBV cylinder compl. with 3 heaters 4.5 kW and 3 thermal monitors
		1									B-2205040	DBV cylinder compl. with 1 heater 6.5 kW and 1 thermal monitor
				1				2	1		B-2205041	DBV cylinder compl. with 2 heaters 6.5 kW and 2 thermal monitors
					1				1	2	B-2205042	DBV cylinder compl. with 3 heaters 6.5 kW and 3 thermal monitors
2	1	1									B-2205101	Top part of DBV cylinder, empty, for 1 heater and 1 thermal monitor
2			1	1		1	2	1			B-2205102	Top part of DBV cylinder, empty, for 2 heaters and 2 thermal monitors
2					1	1		1	2		B-2205103	Top part of DBV cylinder, empty, for 3 heaters and 3 thermal monitors
5	1	1	1	1	1	2	2	2	2		E-2204036	Lower part of DBV cylinder
4		1		2	3		4	5	6		E-2204003	Heater 400V / 6,5 kW
4	1		2			5					E-2204004	Heater 400V / 4,5 kW
	2	2	4	4	6	10	8	10	12		E-2204006	Gasket for heater
	1	1	2	2	3	5	4	5	6		E-2204007	Mounting nut for heater
	1	1	2	2	3	5	4	5	6		E-2205027	Thermal monitor incl. clamps and nuts
	1	1	2	2	3	5	4	5	6		E-2205028	Clamps for thermal monitor (5pc)
	1	1	2	2	3	5	4	5	6		E-2205030	Gasket for thermal monitor (5pc)
	18	18	18	18	18	36	36	36	36		E-2204040	Screws for cylinder flange M6x20
	18	18	18	18	18	36	36	36	36		E-2204041	U-washer for cylinder flange Ø6,2
	18	18	18	18	18	36	36	36	36		E-2204042	Nut for cylinder flange M6
3	1	1	1	1	1	2	2	2	2		E-2204019	O-ring seal for cylinder flange
6	1	1	1	1	1	2	2	2	2		E-2204022	O-ring seal for cylinder base
8	1	1	1	1	1	2	2	2	2		E-2206086	Cylinder base DN40/25i/15/12
	1	1	1	1	1	2	2	2	2		B-2214023	Mounting set for cylinder base
	2	2	2	2	2	4	4	4	4		E-2204034	Plastic blind nut M5 for mounting cylinder base
	1	1	1	1	1	2	2	2	2		E-2205026	Mounting kit for heaters with 3 clamps
	1	1	1	1	1	2	2	2	2		E-2204009	Connecting piece 1/4" for level control cylinder, steamside
13	1	1	1	1	1	2	2	2	2		E-2204035	Condensate plug
1	1	1	1	1	1	2	2	2	2		E-2209010	Adapter steam hose DN40
	1	1	1	1	1	2	2	2	2		E-2209002	Clip for adapter DN40
	1	1	1	1	1	2	2	2	2		E-2209010	O-ring seal for adapter steam hose DN40
	1	1	1								E-2604031	Reducing piece DN40/DN25 steam hose
												Water Feed
11	1	1	1	1	1	1	1	1	1		B-2304023	Solenoid valve DBV, 0,2-10 bar, 3,5 l/min
	x	x	x	x	x	x	x	x	x		B-2304105	Solenoid valve DBV, 0,0-3,5 bar, optional
	1	1	1	1	1	1	1	1	1		E-2304029	Fine filter in solenoid valve inlet
	1	1	1	1	1	1	1	1	1		E-2304103	Captive coupling ring for solenoid valve 3/4"
	1	1	1	1	1	1	1	1	1		E-2304107	Gasket for inlet screwed fitting, solenoid
	1	1	1	1	1	1	1	1	1		E-8501034	Hose collar for inlet screwed fitting, 3/4", Solenoid
	1	1	1	1	1	1	1	1	1		E-2304036	Rubber seal solenoid valve - cabinet
	1	1	1	1	1	1	1	1	1		B-2304040	Mounting set for solenoid valve
21	1	1	1	1	1	1	1	1	1		B-3320406	Filling cup
20	x	x	x	x	x	x	x	x	x		E-2604014	Connecting hose solenoid valve - filling cup

*	DBV-(U)									Article No.	Description
	65	95	125	175	265	305	355	435	525		
Water Feed DBV-P											
19	x	x	x	x	x	x	x	x	x	E-2604010	Connecting hose filling cup - T-piece (cylinder base)
	x	x	x	x	x	x	x	x	x	E-2604014	Connecting hose T-piece (cylinder base) - cylinder 1
13	x	x	x	x	x	x	x	x	x	E-2604014	Connecting hose T-Stück (cylinder base) - level control cylinder, waters.
10						x	x	x	x	E-2604010	Connecting hose cylinder base - cylinder base
	x	x	x	x	x	x	x	x	x	E-2604021	T-piece TS12 (cylinder base)
14	1	1	1	1	1	1	1	1	1	B-2504125	Water level control cylinder, compl. with flow-switch
	1	1	1	1	1	1	1	1	1	E-2504124	Water level control cylinder, without flow-switch
	1	1	1	1	1	1	1	1	1	E-2525246	Flow-switch for DBV
	1	1	1	1	1	1	1	1	1	E-2304036	Rubber seal for water level control
	x	x	x	x	x					E-2604014	Connecting hose water control cylinder, steamside - cylinder
15						x	x	x	x	E-2604014	Connecting hose water control cylinder, steamside - T-piece
						x	x	x	x	E-2604014	Connecting hose T-piece - cylinder 1
12						x	x	x	x	E-2604014	Connecting hose T-piece - cylinder 2
16						1	1	1	1	E-2604021	T-piece TS 12 (cylinder 1 -2, water level control)
7						1	1	1	1	E-2206090	Stopper, conical (closing cylinder 2)
9						x	x	x	x	E-2604014	Hose for manual drain
23						1	1	1	1	E-2604060	Stopper, conical for hose for manual drain
Water Feed DBV-UP											
22	1	1	1	1	1	1	1	1	1	B-2304065	<i>SUPER FLUSH complete</i>
	x	x	x	x	x	x	x	x	x	E-2604014	<i>Connecting hose SUPER FLUSH cylinder 1</i>
						x	x	x	x	E-2604014	<i>Connecting hose SUPER FLUSH cylinder 2</i>
						1	1	1	1	E-2604014	<i>T-piece TS 12 (cylinder 1 - 2, SUPER FLUSH)</i>
	1	1	1	1	1	1	1	1	1	E-2304066	<i>Double solenoid valve for SUPER FLUSH</i>
	1	1	1	1	1	1	1	1	1	E-2304064	<i>Flow rate controller 3,4 l/min</i>
	1	1	1	1	1	1	1	1	1	E-2304103	<i>Captive coupling ring for solenoid valve</i>
	1	1	1	1	1	1	1	1	1	E-2304107	<i>Gasket for captive coupling ring of solenoid valve</i>
	1	1	1	1	1	1	1	1	1	E-8501034	<i>Hoze nozzle for captive coupling 3/4", solenoid valve</i>
	1	1	1	1	1	1	1	1	1	E-2304036	<i>Rubber seal solenoid valve - cabinet</i>
21	1	1	1	1	1	1	1	1	1	B-3320406	<i>Filling cup</i>
20	x	x	x	x	x	x	x	x	x	E-2604014	<i>Connecting hose solenoid valve - filling cup</i>
19	x	x	x	x	x	x	x	x	x	E-2604010	<i>Connecting hose filling cup - T-piece (cylinder base)</i>
	x	x	x	x	x	x	x	x	x	E-2604014	<i>Connecting hose T-piece (cylinder base) - cylinder 1</i>
13	x	x	x	x	x	x	x	x	x	E-2604014	<i>Connecting hose T-piece (cylinder base) - water control cylinder, waters.</i>
10						x	x	x	x	E-2604014	<i>Connecting hose cylinder base-cylinder base</i>
						1	1	1	1	E-2604014	<i>T-piece TS 12 (cylinder base)</i>
14	1	1	1	1	1	1	1	1	1	B-2504125	<i>Water level control cylinder, compl. with float switch</i>
	1	1	1	1	1	1	1	1	1	E-2504124	<i>Water level control cylinder, without</i>
	1	1	1	1	1	1	1	1	1	E-2525246	<i>Flow-switch for DBV</i>
	1	1	1	1	1	1	1	1	1	E-2304036	<i>Ruber seal for water level control</i>
	x	x	x	x	x					E-2604014	<i>Connecting hose water control cylinder, steamside - cylinder</i>
15						x	x	x	x	E-2604014	<i>Connecting hose water control cylinder, steamside - T-piece</i>
						x	x	x	x	E-2604014	<i>Connecting hose T-piece - cylinder 1</i>
12						x	x	x	x	E-2604014	<i>Connecting hose T-piece - cylinder 2</i>
16						1	1	1	1	E-2604021	<i>T-piece TS 12 (cylinder 1 -2, water level control)</i>

*	DBV-(U)									Article No.	Description	
	65	95	125	175	265	305	355	435	525			
Water Drain DBV-P												
12	1	1	1	1	1	1	1	1	1	B-2404021	Drain pump without mounting set	
	1	1	1	1	1	1	1	1	1	B-2424014	Mounting set for drain pump	
	1	1	1	1	1	1	1	1	1	E-2404008	Drain pump housing	
	1	1	1	1	1	1	1	1	1	E-2404006	O-ring seal for drain pump	
	1	1	1	1	1	1	1	1	1	E-2425002	Adapter pump - drain hose, straight model, connections DN25/13	
	1	1	1	1	1	1	1	1	1	E-3220005	O-ring for adapter pump - drain hose	
	1	1	1	1	1	1	1	1	1	E-3220005	O-ring for cylinder base - pump	
Water Drain DBV-UP												
12	1	1	1	1	1	2	2	2	2	B-2404021	Drain pump without mounting set	
	1	1	1	1	1	2	2	2	2	B-2424014	Mounting set for drain pump	
	1	1	1	1	1	2	2	2	2	E-2404008	Drain pump housing	
	1	1	1	1	1	2	2	2	2	E-2404006	O-ring seal for drain pump	
22						1	1	1	1	E-2425000	Vent pipe	
						x	x	x	x	E-2604014	Pump drain hose pump - vent pipe	
						x	x	x	x	E-2604014	Pump drain hose vent pipe - drain	
	1	1	1	1	1	2	2	2	2	E-2425002	Adapter pump - drain hose straight model, connections DN25/13	
	1	1	1	1	1	2	2	2	2	E-3220005	O-ring for adapter pump - drain hose	
	1	1	1	1	1	2	2	2	2	E-3220005	O-ring for cylinder base - pump	
	P-Electronic											
	1	1	2	2	3	5	4	5	6	E-2501006	Main contactor 24A, 230V	
1	1	1	1	1	1	1	1	1	E-2504039	Control fuse 5A, 5x20 mm		
1	1	1	1	1	1	1	1	1	E-2522412	Cowling microswitch		
1	1	2	2	3	3	2	3	3	E-2504033	Connecting cables thermal monitor - relay, cylinder 1		
						2	2	3	E-2505034	Connecting cables thermal monitor - relay, cylinder 2		
1	1	2	2	3	5	4	5	6	E-2505036	Connecting cables thermal monitor - heater		
1	1	1	1	1	1	1	1	1	B-2502400	Control switch, single-pole		
1	1	1	1	1	1	1	1	1	B-2525229	Display		
1	1	1	1	1	1	1	1	1	B-2525235	Main pcb 6-step compl. with module holder		
1	1	1	1	1	1	1	1	1	B-2525237	Output relay (solid state relay)		
1	1	1	1	1					E-2120580	Mounting plate for electronics, one cylinder unit		
					1	1	1	1	E-2120780	Mounting plate for electronics, double cylinder unit		
Accessories												
x	x	x	x	x					E-2604248	Steam distributor, DN 25, 195 mm, holes evenly spaced		
x	x	x	x	x					E-2604249	Steam distributor, DN 25, 240 mm, holes evenly spaced		
x	x	x	x	x					E-2604251	Steam distributor, DN 25, 400 mm, holes evenly spaced		
x	x	x	x	x					E-2604253	Steam distributor, DN 25, 700 mm, holes evenly spaced		
x	x	x	x	x					E-2604255	Steam distributor, DN 25, 1000 mm, holes evenly spaced		
x	x	x	x	x					E-2604256	Steam distributor, DN 25, 1300 mm, holes evenly spaced		
					x	x	x	x	E-2604400	Steam distributor, DN 40, 300 mm, holes evenly spaced		
					x	x	x	x	E-2604402	Steam distributor, DN 40, 500 mm, holes evenly spaced		
					x	x	x	x	E-2604403	Steam distributor, DN 40, 700 mm, holes evenly spaced		
					x	x	x	x	E-2604404	Steam distributor, DN 40, 900 mm, holes evenly spaced		
					x	x	x	x	E-2604406	Steam distributor, DN 40, 1300 mm, holes evenly spaced		
x	x	x	x	x					E-2604012	Steam hose DN 25, per m		
					x	x	x	x	E-2604013	Steam hose DN 40, per m		
x	x	x	x	x	x	x	x	x	E-2604014	Condensate hose DN 12, per m		
x	x	x	x	x					E-2404004	Steam hose clamp DN 25		
					x	x	x	x	E-2604016	Steam hose clamp DN 40		

*	DBV-(U)										Article No.	Description
	65	95	125	175	265	305	355	435	525			
	x	x	x	x	x	x	x	x	x	x	E-2304015	Condensate hose clamp DN 12
	x	x	x	x	x						E-2604019	Steam connector, T-piece DN 25
						x	x	x	x		E-2604020	Steam connector, T-piece DN 40
	x	x	x	x	x	x	x	x	x		E-2604021	Condensate connector, T-piece DN 12
	x	x	x	x	x						B-2604026	Steam solenoid valve 0 - 0.4 bar, compl. for steam hose DN 25
						x	x	x	x		B-2604040	Steam solenoid valve 0 - 0.4 bar, compl. for steam hose DN 40
											E-2604029	Hose nozzle DN 25
	x	x	x	x	x						E-2604030	90 degree elbow, DN 25, for extremely small radius
						x	x	x	x		E-2604034	90 degree elbow, DN 40, for extremely small radius
						1	1	1	1		B-2604032	Pressure equalisation for steam hoses, set