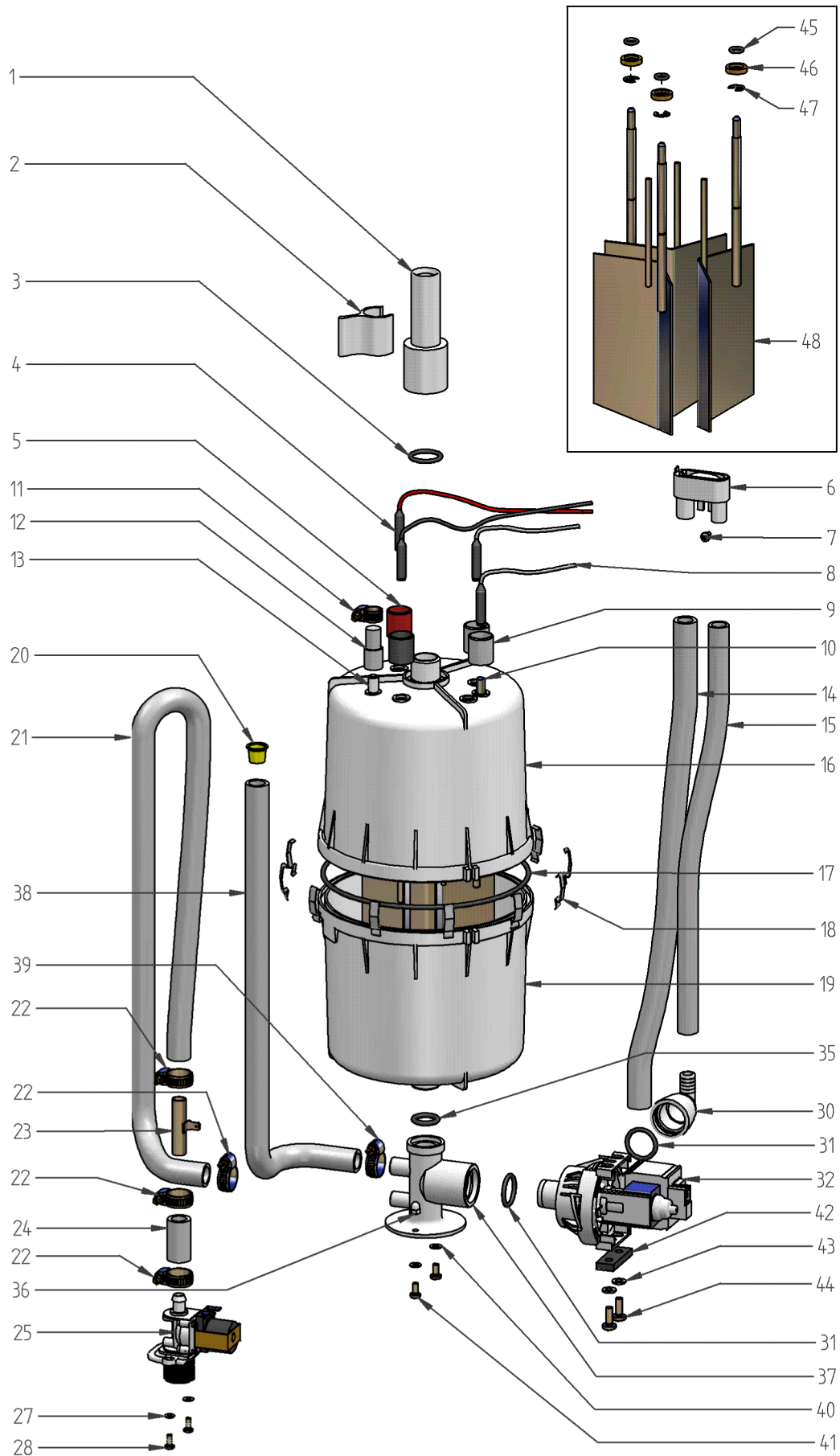
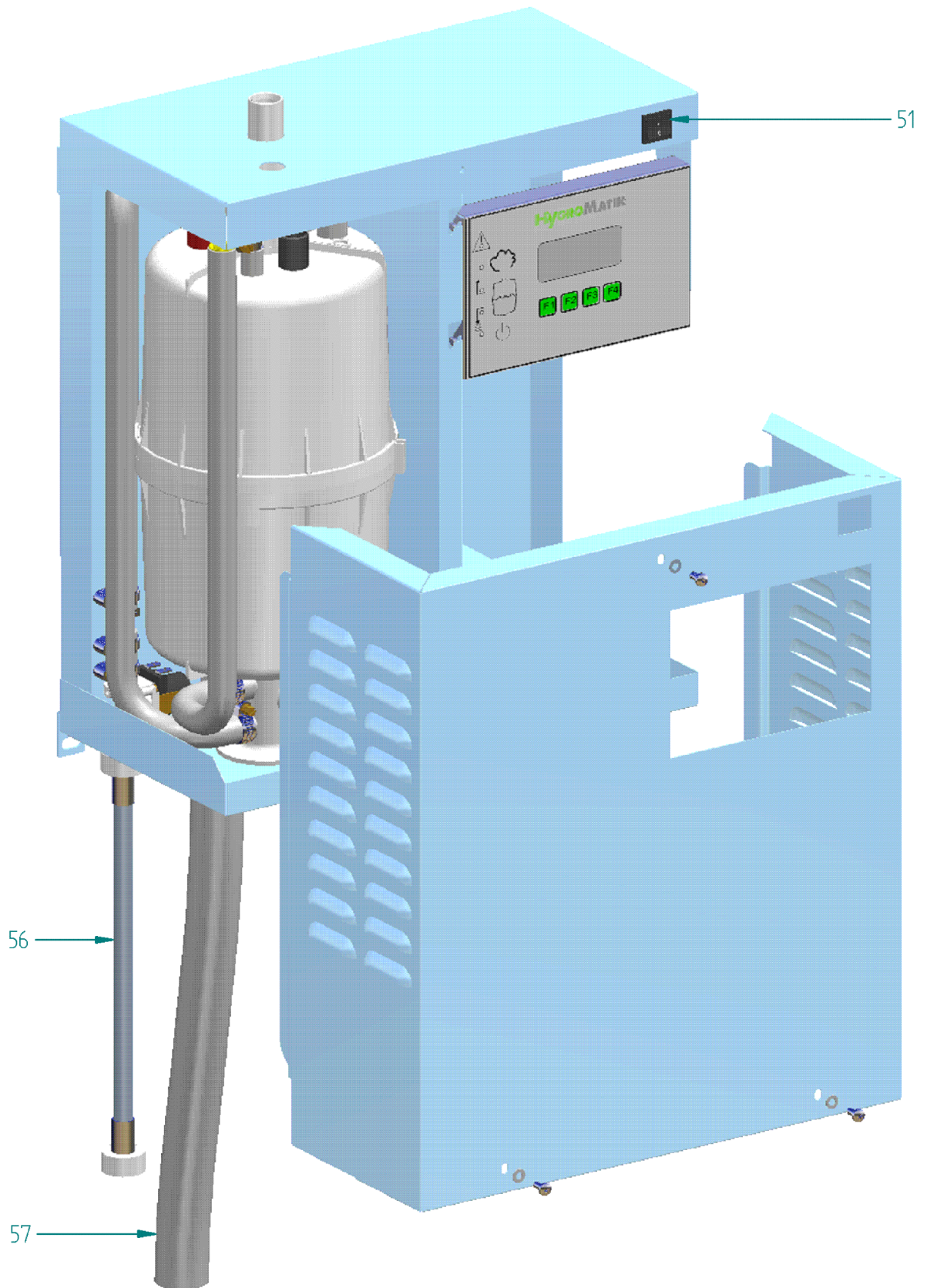


14. Exploded View



15. View of housing



11. Spare Parts

*	C6	C10	C17	C22	C30	C45	C58	Article No.	Description
									Steam generation
	1							B-3216067	Steam cylinder CY4 compl. with electrodes and hand nuts *
		1						B-3204031	Steam cylinder CY8 compl. with electrodes and hand nuts *
			1					B-2204101	Steam cylinder CY17 compl. with electrodes and hand nuts *
				1				B-2204151	Steam cylinder CY17 DN40 compl. with 3 electrodes and hand nuts *
					1			B-2204111	Steam cylinder CY17 DN40 compl. with 6 electrodes and hand nuts *
						1		B-2204105	Steam cylinder CY30 compl. with electrodes and hand nuts *
							1	B-2204109	Steam cylinder CY45 compl. with electrodes and hand nuts *
16	1							E-3216043	Top part of steam cylinder CY4 DN20/9, empty
16		1						E-3226005	Top part of steam cylinder CY8 DN25/12, empty
16			1					E-2206068	Top part of steam cylinder CY17 DN25/12, empty
16				1	1			E-2206082	Top part of steam cylinder CY17 DN40/12, empty
16						1		E-2206069	Top part of steam cylinder CY30 DN40/12, empty
16							1	E-2207001	Top part of steam cylinder CY45 DN40/12, empty
19	1							B-3216044	Lower part of steam cylinder compl. with strainer CY4 *
19		1						B-3216007	Lower part of steam cylinder compl. with strainer CY8 *
19			1	1	1			B-2206046	Lower part of steam cylinder compl. with strainer CY17*
19						1		B-2206071	Lower part of steam cylinder compl. with strainer CY30*
19							1	B-2207002	Lower part of steam cylinder compl. with strainer CY45*
17	1							E-3216046	O-ring seal for cylinder flange, transparent cylinder
17		1						E-3216010	O-ring seal for cylinder flange, transparent cylinder
17			1	1	1			E-2206050	O-ring seal for cylinder flange, transparent cylinder
17						1		E-2206051	O-ring seal for cylinder flange, transparent cylinder
17							1	E-2207011	O-ring seal for cylinder flange, transparent cylinder
35	1	1						E-3216011	O-ring seal for cylinder base
35			1	1	1	1	1	E-2204022	O-ring seal for cylinder base
48	1							B-3216061	Electrodes compl. with hand nuts, set=3pc. for CY4
48		1						B-3204019	Electrodes compl. with hand nuts, set=3pc. for CY8
48			1					B-2204081	Electrodes compl. with hand nuts, set=3pc. for CY17
				1				B-2206227	Electrodes compl. with hand nuts, set=3pc. for CY17, CY30 DN40
48					1	1		B-2204083	Electrodes compl. with hand nuts, set=6pc. for CY17, CY30 DN40
48							1	B-2204085	Electrodes compl. with hand nuts, set=6pc. for CY45 DN40
10	1							B-3204037	Sensor electrode compl. with hand nut
10		1						B-3204027	Sensor electrode compl. with hand nut
10			1	1	1	1	1	B-2204075	Sensor electrode compl. with hand nut
4	1	1	1	1	1	1		E-3216025	Plug-in contact with insulating hose for sensor electrode
4	3	3						E-3216024	Plug-in contact with insulating hose for steam generating electrodes

*	C6	C10	C17	C22	C30	C45	C58	Article No.	Description
4			3	3	6	6		E- 2206059	Plug-in contact with insulating hose for steam generating electrodes
4							6	E-2207016	Plug-in contact with insulating hose for steam generating electrodes
18	12	12	18	18	18	24	36	E-3216022	Cylinder flange clamp
37	1	1						E-3220000	Cylinder base DN 20/25i/15/12
37			1	1	1	1	1	E- 2206086	Cylinder base DN 40/25i/15/12
	1	1	1	1	1	1	1	B- 3216023	Mounting set for cylinder base
1	1							E-3221000	Adapter DN20/25 for steam hose DN25
1		1						E-3221002	Adapter for steam hose DN25
1			1					E-2209000	Adapter for steam hose DN25
1				1	1			E-2209004	Adapter for steam hose DN40
1						1		E-2209006	Adapter for steam hose DN40
1							2	E-2209008	Adapter for steam hose DN40
	1							B-3216077	maintenance kit for cylinder**
		1						B-3216079	maintenance kit for cylinder**
			1					B-2207029	maintenance kit for cylinder**
				1				B-2207043	maintenance kit for cylinder**
					1			B-2207031	maintenance kit for cylinder**
						1		B-2207033	maintenance kit for cylinder**
							1	B-2207035	maintenance kit for cylinder**
12	1							E-3216021	Condensate cap DN9
12		1	1	1	1	1	1	E- 2204035	Condensate cap DN12
2	1	1	1					E-3221004	Clip for adapter DN25
2				1	1	1	2	E- 2209002	Clip for adapter DN40
3				1	1	1	2	E- 2209010	O-ring for adapter DN40
3	1							E-3216011	O-ring for adapter DN20/25
3		1	1					E-3221006	O-ring for adapter DN25
3				1	1	1	2	E- 2204022	O-ring for adapter DN40
									Water feed
21	0,60	0,60	0,60	0,60	0,60	0,60	1,90	E-2604002	Connecting hose, solenoid valve - cylinder base, per m
25	1							B-2304081	Solenoid valve, servo controlled, straight type, 0,2 - 10bar, 1,2 l/min
25		1						B-2304083	Solenoid valve, servo controlled, straight type, 0,2 - 10bar, 2,5 l/min
25			1	1	1	1	1	B- 2304085	Solenoid valve, servo controlled, straight type, 0,2 - 10bar, 3,0 l/min
29	1	1	1	1	1	1	1	E- 2304016	fine filter for inlet solenoid valve
56	1	1	1	1	1	1	1	B- 2304031	Hose for water connection, 3/4" cap nuts on both sides
	1	1	1	1	1	1	1	E- 2305002	Sealing for hose for water connection
38	0,40	0,40	0,60	0,60	0,60	0,60	0,80	E-2604004	Hose for manual water drain
20	1	1	1	1	1	1	1	E- 2604062	Stopper, conical, lock for hose E-2604010
									Water drain
	1							B-3401015	Pump-drain-hose-system (Pos. 6, 14, 15, 30, 31)
		1						B-3401017	Pump-drain-hose-system (Pos. 6, 14, 15, 30, 31)
			1	1	1			B-3401019	Pump-drain-hose-system (Pos. 6, 14, 15, 30, 31)
						1		B-3401013	Pump-drain-hose-system (Pos. 6, 14, 15, 30, 31)
							1	B-3401021	Pump-drain-hose-system (Pos. 6, 14, 15, 30, 31)

*	C6	C10	C17	C22	C30	C45	C58	Article No.	Description
31	1	1	1	1	1	1	1	E-3220005	O-ring for pump - cylinder base
31	1	1	1	1	1	1	1	E-3220005	O-ring for pump - adapter
33	1	1	1	1	1	1	1	E-2404024	O-ring for drain pump (cover-motor)
32	1	1	1	1	1	1	1	B-2404027	Drain pump without mounting set
	1	1	1	1	1	1	1	B-2424014	Mounting set for drain pump
57	1	1	1	1	1	1	1	E-2420423	Drain hose 1 1/4"
6	1	1	1	1	1	1	1	E-2425004	Elbow with vent pipe
Electronic universal									
	1	1						E-2501005	Main contactor 16A, 230V
			1					E-2501006	Main contactor 24A, 230V
				1	1			E-2505007	Main contactor 40A, 230V
						1	1	E-0505009	Main contactor 63A, 230V
	1	1	1	1	1	1	1	E-2505206	Control fuse 1,6A, 5x20 mm
4	1	1						B-3526019	Connecting cables for electrodes with plug-in contact, set=3pc
4			1					B-2524201	Connecting cables for electrodes with plug-in contact, set=3pc
				1				B-2524249	Connecting cables for electrodes with plug-in contact, set=3pc
4					1			B-2524205	Connecting cables for electrodes with plug-in contact, set=6pc
4						1		B-2524209	Connecting cables for electrodes with plug-in contact, set=6pc
4							1	B-2524213	Connecting cables for electrodes with plug-in contact, set=6pc
	1	1						B-2525051	Connecting cable for sensor electrode with plug-in contact, 630mm
			1	1	1	1	1	B-2525055	Connecting cable for sensor electrode with plug-in contact, 1150mm
Steam generation with electrical supply higher than 500V									
			1	1	1			E-2206054	O-ring CY17, silicone, for cylinder flange
						1		E-2206056	O-ring CY30, silicone, for cylinderflange
							1	E-2207014	O-ring CY45, silicone, for cylinderflange
			1	1				B-2208007	Cylinder star CY17/3
					1			B-2208013	Cylinder star CY17/6
						1		B-2208009	Cylinder star CY 30
							1	B-2208011	Cylinder star CY 45
			2,5		5	8		E-9000110	Cable H07V-K2,5 [m]
			3		6	6		E-2206059	Plug-in conatct for electrode 35A
							8	E-9000132	Cable H07V-K6,0 [m]
							6	E-2207016	Plug-in conatct for electrode 63A
Control, electrical supply higher than 500V									
			1		1	1	1	E-2504158	Transformer 690V/230V, 25VA
			1		1	1	1	E-2504168	Transformer 480V-500V/230V
			1		1	1	1	E-2504160	Transformer 600V/230V
			1		1	1	1	E-2504166	Transformer 660V-690V/230V, 130VA
							1	E-2507024	Main contactor 60A, 230V/690V
					1	1		E-2507022	Main contactor 40A, 230V/690V
			1					E-2507018	Main contactor 25A, 230V/690V
			1		1	1	1	E-2590102	Line safety switch, 1 A

*	C6	C10	C17	C22	C30	C45	C58	Article No.	Description
									Control, electrical supply between 416V and 480V
							1	E-2507024	Main contactor 60A, 230V/690V
			1		1	1		E-2507022	Main contactor 40A, 230V/690V
		1	1					E-2507018	Main contactor 25A, 230V/690V
		1	1		1	1	1	E-2504157	Transformer 208V-460V/230V
		1	1		1	1	1	E-2504168	Transformer 480V/230V
									Control, electrical supply below 230V
							1	E-2504092	Main contactor 100 A, 230V
					1	1		E-0505009	Main contactor 63A, 230V
			1					E-2505007	Main contactor 40A, 230V
		1						E-2501006	Main contactor 24A, 230V
						1		B-2524209	Cable for electrode 35A/6mm ²
									Basic Control
	1	1	1	1	1	1	1	B-2526201	Basic Mainboard
51	1	1	1	1	1	1	1	E-2502412	Control switch, double pole
	1	1	1	1	1	1	1	B-2120901	Mounting plate (Basic)
									Comfort Control
	1	1	1	1	1	1	1	B-2526201	Basic Mainboard
51	1	1	1	1	1	1	1	E-2502412	Control switch, double pole
	1	1	1	1	1	1	1	B-2120903	Mounting plate (Comfort)
	1	1	1	1	1	1	1	B-2526401	Display (Comfort)
									Comfort Plus Control
	1	1	1	1	1	1	1	B-2526201	Basic Mainboard
51	1	1	1	1	1	1	1	E-2502412	Control switch, double pole
	1	1	1	1	1	1	1	B-2120905	Mounting plate (Comfort Plus)
	1	1	1	1	1	1	1	B-2526403	Display (Comfort Plus)
									DS-Control
	1	1	1	1	1	1	1	B-2526211	DS-Basic Mainboard (PCB)
51	1	1	1	1	1	1	1	E-2502412	Control switch, double-pole
	1	1	1	1	1	1	1	B-2120903	Mounting plate (Comfort)
	1	1	1	1	1	1	1	B-2120905	Mounting plate (Comfort Plus)
	1	1	1	1	1	1	1	B-2526401	Display (Comfort)
	1	1	1	1	1	1	1	B-2526403	Display (Comfort Plus)
	x	x	x	x	x	x	x	E-0605228	Temperature sensor for steam bath control version V
	x	x	x	x	x	x	x	B-2505207	Holder for temperature sensor incl. mounting set
	x	x	x	x	x	x	x	E-0605232	Temperature Sensor ATF 2 for surface mounting
	x	x	x	x	x	x	x	E-2505206	Fuse for light, fan, essence injector 1.6A, 5x20mm
	x	x	x	x	x	x	x	E-3516020	Fuse for essence injection 2.5A, 2x20mm
	x	x	x	x	x	x	x	E-2504039	Fuse for transformer (E-2504154) 5A, 5x20mm
	x	x	x	x	x	x	x	E-2504154	Transformer 230/24V/130VA

*	C6	C10	C17	C22	C30	C45	C58	Article No.	Description
									Essence Injection
	x	x	x	x	x	x		B-2604091	pump, peristaltic DSP9111; 230V/50Hz; 3l/h
	x	x	x	x	x	x		B-2604083	pump, peristaltic DSP9111; 24V/50Hz; 3l/h
	x	x	x	x	x	x		E-2604072	hose for peristaltic pump DSP9431
	x	x	x	x	x	x		E-2604074	hose for peristaltic pump DSP9111
	x	x	x	x	x	x		E-2604076	hose connector for silicon hoses, 6mm
	x	x	x	x	x	x		E-2604070	hose, silicon, for essence; 6x1,5
	x	x	x	x	x	x		B-2604067	T-piece for essence injection (DN25)
	x	x	x	x	x	x		B-2604069	T-piece for essence injection (DN40)
									Accessories
	x	x	x					E-2604012	Steam hose DN25, per m
				x	x	x	x	E-2604013	Steam hose DN40, per m
	x	x	x	x	x	x	x	E-2604002	Condensate hose DN12, per m
	x	x	x					E-2404004	Steam hose clamp DN25
				x	x	x	x	E-2604016	Steam hose clamp DN40
		x	x	x	x	x	x	E-2304015	Condensate hose clamp
	x	x	x					B-2604026	Steam solenoid valve 0-0,4bar, compl. for steam hose DN 25
				x	x	x	x	B-2604040	Steam solenoid valve 0-0.4bar, compl. for steam hose DN40
	x	x	x					E-2604042	Connectors for steam distribution T-piece DN25, stainless steel
				x	x	x	x	E-2604023	Connectors for steam distribution T-piece DN40, stainless steel
	x	x	x	x	x	x	x	E-2604021	Connectors for condensate T-piece DN12
	÷	1						B-2208005	Cylinder star
			1	1				B-2208007	Cylinder star
					1			B-2208013	Cylinder star
						1		B-2208009	Cylinder star
								B-2208011	Cylinder star
	÷	1						B-2304063	Super flush complete
			1	1	1	1	1	B-2304065	Super flush complete
	x	x	x	x	x	x	x	B-2304031	Water connection hose, flexible, 0.6 m 3/4", with connector
	x	x	x	x	x	x	x	B-3320406	Filling cup complete

If you order any spare parts, please specify type and serial number of the unit.

* see Exploded View

** If the Super Flush System is installed, consider to order also a new nozzle (B-2304079), please.

*** Maintenance kit contains: Electrodes without hand nuts, O-ring for adapter, O-ring seal for cylinder base, O-ring seal for cylinder flange, Cylinder flange clamps