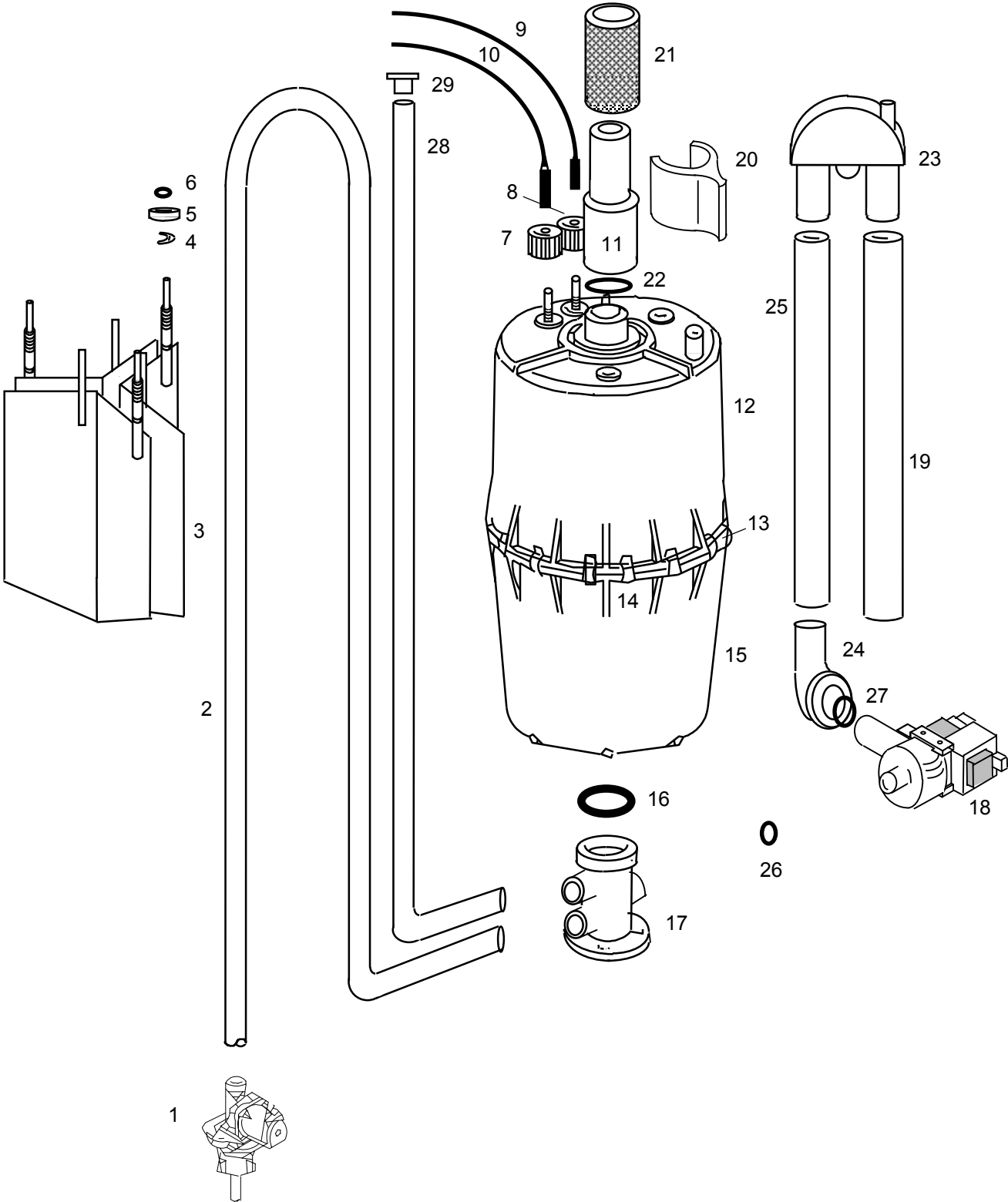


CompactLine



*	C6	C10	C17	C30	C45	C58	Article No.	Description
								Steam generation
	1						B-3216067	Steam cylinder CY4 compl. with electrodes and hand nuts *
		1					B-3204031	Steam cylinder CY8 compl. with electrodes and hand nuts *
			1				B-2204101	Steam cylinder CY17 compl. with electrodes and hand nuts *
				1			B-2204111	Steam cylinder CY17 DN40 compl. with electrodes and hand nuts *
					1		B-2204105	Steam cylinder CY30 compl. with electrodes and hand nuts *
						1	B-2204109	Steam cylinder CY45 compl. with electrodes and hand nuts *
12	1						E-3216043	Top part of steam cylinder CY4 DN 20/9, empty
12		1					E-3226005	Top part of steam cylinder CY8 DN 25/12, empty
12			1				E-2206068	Top part of steam cylinder CY17 DN 25/12, empty
12				1			E-2206082	Top part of steam cylinder CY17 DN 40/12, empty
12					1		E-2206069	Top part of steam cylinder CY30 DN 40/12, empty
12						1	E-2207001	Top part of steam cylinder CY45 DN 40/12, empty
15	1						B-3216044	Lower part of steam cylinder compl. with strainer *
15		1					B-3216007	Lower part of steam cylinder compl. with strainer *
15			1	1			B-2206046	Lower part of steam cylinder compl. with strainer *
15					1		B-2206071	Lower part of steam cylinder compl. with strainer *
15						1	B-2207002	Lower part of steam cylinder compl. with strainer *
13	1						E-3216046	O-ring seal for cylinder flange, transparent cylinder
13		1					E-3216010	O-ring seal for cylinder flange, transparent cylinder
13			1	1			E-2206050	O-ring seal for cylinder flange, transparent cylinder
13					1		E-2206051	O-ring seal for cylinder flange, transparent cylinder
13						1	E-2207011	O-ring seal for cylinder flange, transparent cylinder
16	1	1					E-3216011	O-ring seal for cylinder base
16			1	1	1	1	E-2204022	O-ring seal for cylinder base
3	1						B-3216061	Electrodes compl. with hand nuts, set=3pc. for CY4
3		1					B-3204019	Electrodes compl. with hand nuts, set=3pc. for CY8
3			1				B-2204081	Electrodes compl. with hand nuts, set=3pc. for CY17
3				1	1		B-2204083	Electrodes compl. with hand nuts, set=6pc. for CY45 DN 40
3						1	B-2204085	Electrodes compl. with hand nuts, set=6pc. for CY17, CY30 DN40
	1						B-3204037	Sensor electrode compl. with hand nut
		1					B-3204027	Sensor electrode compl. with hand nut
			1	1	1	1	B-2204075	Sensor electrode compl. with hand nut
	1	1	1	1	1		E-3216025	Plug-in contact with insulating hose for sensor electrode
	3	3					E-3216024	Plug-in contact with insulating hose for steam generating electrodes
			3	6	6		E-2206059	Plug-in contact with insulating hose for steam generating electrodes
						6	E-2207016	Plug-in contact with insulating hose for steam generating electrodes
14	12	12	18	18	24	36	E-3216022	Cylinder flange clamp
17	1	1					E-3220000	Cylinder base DN 20/25i/15/12
17			1	1	1	1	E-2206086	Cylinder base DN 40/25i/15/12
	1	1	1	1	1	1	B-3216023	Mounting set for cylinder base
	1						E-3216021	Condensate plug DN 9
		1	1	1	1	1	E-2204035	Condensate plug DN 12
11	1						E-3221000	Adapter DN20/25 for steam hose DN25
11		1					E-3221002	Adapter for steam hose DN25
11			1				E-2209000	Adapter for steam hose DN25
11				1			E-2209004	Adapter for steam hose DN40
11					1		E-2209006	Adapter for steam hose DN40
11						2	E-2209008	Adapter for steam hose DN40

*	C6	C10	C17	C30	C45	C58	Article No.	Description
Steam generation								
20	1	1	1				E-3221004	Clip for adapter DN25
20				1	1	2	E-2209002	Clip for adapter DN40
22	1						E-3216011	O-ring for adapter DN20/25
22		1	1				E-3221006	O-ring for adapter DN25
22				1	1	2	E-2209010	O-ring for adapter DN40
Water feed								
2	0,60	0,60	0,60	0,60	0,60	1,90	E-2604014	Connecting hose, solenoid valve - cylinder base
1	1						B-2304081	Solenoid valve, servo controlled, straight type, 0,2 - 10 bar, 1,2 l/min
1		1					B-2304083	Solenoid valve, servo controlled, straight type, 0,2 - 10 bar, 2,5 l/min
1			1	1	1	1	B-2304085	Solenoid valve, servo controlled, straight type, 0,2 - 10 bar, 3,0 l/min
	1	1	1	1	1	1	B-2304031	Hose for water connection, 3/4" cap nuts on both sides
	1	1	1	1	1	1	E-2305002	Sealing for hose for water connection
	0,40	0,40	0,60	0,60	0,60	0,80	E-2604010	Manual water drain
	1	1	1	1	1	1	E-2604062	Stopper, conical, lock for hose E-2604010
Water drain								
	1						B-3401001	Pump-drain-hose-system (Pos.19,23,24,25,27)
		1					B-3401003	Pump-drain-hose-system (Pos.19,23,24,25,27)
			1	1			B-3401005	Pump-drain-hose-system (Pos.19,23,24,25,27)
					1		B-3401007	Pump-drain-hose-system (Pos.19,23,24,25,27)
						1	B-2401109	Pump-drain-hose-system (Pos.19,23,24,25,27)
27	1	1	1	1	1	1	E-3220005	O-ring for adapter pump - drain hose
	1	1	1	1	1	1	E-2404024	O-ring for drain pump (cover-motor)
18	1	1	1	1	1	1	B-2404021	Drain pump without mounting set
	1	1	1	1	1	1	B-2424014	Mounting set for drain pump
Electronic universal								
	1	1					E-2501005	Main contactor 16A, 230V
			1				E-2501006	Main contactor 24 A, 230 V
				1			E-2505007	Main contactor 40 A, 230 V
					1	1	E-0505009	Main contactor 63 A, 230 V
	1	1	1	1	1	1	E-2505206	Control fuse 1,6 A, 5x20 mm
10	1	1					B-3526017	Connecting cables for electrodes with plug-in contact, set=3pc
10			1				B-2524019	Connecting cables for electrodes with plug-in contact, set=6pc
10				1			B-2524017	Connecting cables for electrodes with plug-in contact, set=6pc
10					1	1	B-2524139	Connecting cables for electrodes with plug-in contact, set=6pc
9	1	1					B-2525051	Connecting cable for sensor electrode with plug-in contact,630mm
9			1	1	1	1	B-2525055	Connecting cable for sensor electrode with plug-in contact, 1150mm
L3-electronic								
	1	1	1	1	1	1	B-3504071	L3-electronic pcb compl. without module holder
	1	1	1	1	1	1	E-2502412	Control switch 24x21,double pole, middle position "0"
	1	1	1	1	1	1	B-2120851	Mounting plate for electronics with foil
EMP-electronic								
	1	1	1	1	1	1	B-2525177	EMP-electronic with display and control unit
	1	1	1	1	1	1	E-2502414	Control switch 24x21, double pole
	1	1	1	1	1	1	B-2120853	Mounting plate for electronics with foil

*	C6	C10	C17	C30	C45	C58	Article No.	Description
								DS-electronic
	1	1	1	1	1	1	E-2525175	DS-electronic with display and control unit
	1	1	1	1	1	1	E-2502414	Control switch, double-pole
	1	1	1	1	1	1	B-2120853	Mounting plate for electronics with foil
	x	x	x	x	x	x	E-0605228	Temperature sensor for steam bath control version V
	x	x	x	x	x	x	B-2505207	Holder for temperature sensor incl. mounting set
	x	x	x	x	x	x	E-0610151	Humidity sensor, type FG80 UAC 24 V AC/DC / 0-10 V
	x	x	x	x	x	x	E-2505206	Fuse for light, fan, essence injector 1.6A, 5x20mm
	x	x	x	x	x	x	E-3516026	Fuse for transformer (E-2504154) 2A, 5x20mm
	x	x	x	x	x	x	E-2504154	Transformer 230/24V/130VA
	x	x	x	x	x	x	E-2502402	Main contactor 20A / 24 V AC, Heater
								ST-electronic
	1	1	1	1			E-3524100	ST-electronic pcb
	1	1	1	1			B-2120851	Mounting plate for electronics with foil
								Essence injector
	x	x	x	x	x		B-2605000	Essence injector, complete
	x	x	x	x	x		B-2304014	Solenoid valve for essence injecton, 24V/50-60Hz
	x	x	x	x	x		E-2305004	Seal set for solenoid valve for essence injection
	x	x	x	x	x		E-8501035	Woven hose 13x3.5mm, lg.:600mm
								Accessories
21	x	x	x				E-2604012	Steam hose DN25, per m
21				x	x	x	E-2604013	Steam hose DN 40, per m
	x	x	x	x	x	x	E-2604014	Condensate hose DN 12, per m
	x	x	x				E-2404004	Steam hose clamp DN 25
				x	x	x	E-2604016	Steam hose clamp DN 40
		x	x	x	x	x	E-2304015	Condensate hose clamp
	x	x	x				B-2604026	Steam solenoid valve 0-0,4 bar, compl. for steam hose DN 25
				x	x	x	B-2604040	Steam solenoid valve 0-0.4 bar, compl. for steam hose DN 40
	x	x	x				E-2604019	Connectors for steam distribution T-piece DN 25
				x	x	x	E-2604020	Connectors for steam distribution T-piece DN 40
	x	x	x	x	x	x	E-2604021	Connectors for condensate T-piece DN 12
	÷	1					B-2208005	Cylinder star
			1				B-2208007	Cylinder star
				1			B-2208013	Cylinder star
					1		B-2208009	Cylinder star
							B-2208011	Cylinder star
	÷	1					B-2304063	Super flush complete
			1	1	1	1	B-2304065	Super flush complete
	x	x	x	x	x	x	B-2304031	Water connection hose, flexible, 0.6 m 3/4", with connector
	x	x	x	x	x	x	B-3320406	Filling cup complete