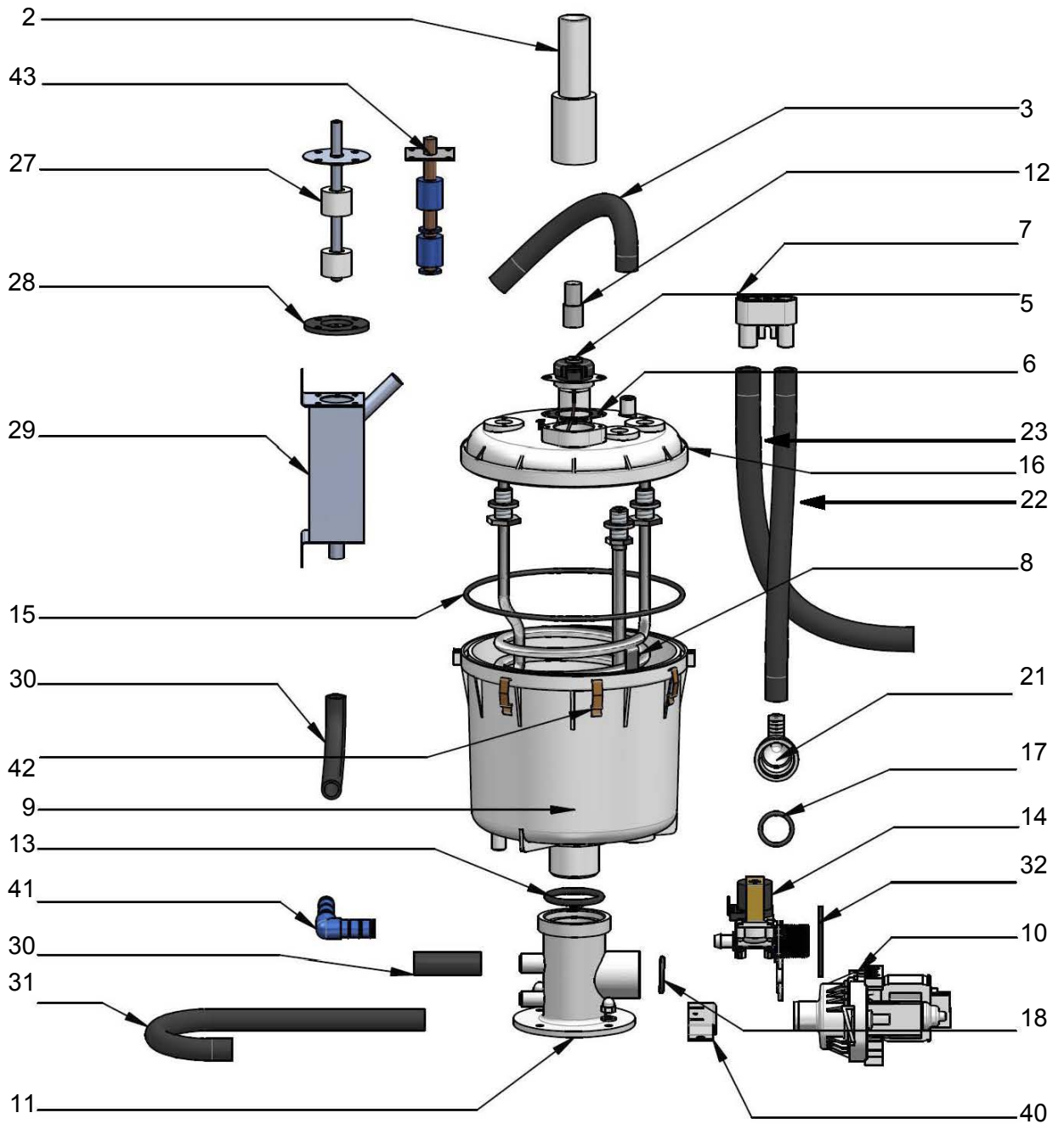


# HeaterCompact Kit

**GW fa U**



## Bz\ fUXbXfm

*	HC02 Kit	HC03 Kit	HC06 Kit	HC09 Kit	HC12 Kit	HC18 Kit	HC27 Kit	Article No.	Description
									<b>Bracket</b>
	1							E-2101002	Bracket for steam section HC02 Kit
		1	1	1				E-2100998	Bracket for steam section HC02 Kit
					1	1	1	E-2100996	Bracket for steam section HC02 Kit
40	1	1	1	1	1	1	1	E-2101000	Pump holder
									<b>Steam Generation</b>
	1							B-2205495	Cylinder compl., with 1 heater element 1.5kW, 1 thermal sensor and terminal, 230V
		1						B-2205521	Cylinder compl. Incl 1 heater element 2.25kW, 1 thermal sensor and terminal
			1					B-2205523	Cylinder compl. Incl 1 heater element 4.5kW, 1 thermal sensor and terminal 230V
			1					B-2205525	Cylinder compl. Incl 1 heater element 4.5kW, 1 thermal sensor and terminal 400V
				1				B-2205527	Cylinder compl. Incl 1 heater element 6.75kW, 1 thermal sensor and terminal
					1			B-2205529	Cylinder compl. Incl 2 heater elements 4.5kW, 1 thermal sensor and terminal
						1		B-2205531	Cylinder compl. Incl 2 heater elements 6.75kW, 1 thermal sensor and terminal
							1	B-2205533	Cylinder compl. Incl 3 heater elements 6,75kW, 1 thermal sensor and terminal
	1							B-3216046	top part of cylinder CY4, empty for 1 heater element and 1 th. Sensor, including strainer
16		1	1	1				B-3216050	top part of cylinder CY8, empty for 1 heater element and 1 th. Sensor, including strainer
16					1	1		B-2206059	top part of cylinder CY17, empty for 2 heater elements and 1 th. Sensor, including strainer
16							1	B-2206061	top part of cylinder CY17, empty for 3 heater elements and 1 th. Sensor, including strainer
9	1	1	1	1				B-3216052	lower part of cylinder Cy08, including strainer
9					1	1	1	B-2206053	lower part of cylinder Cy17, including strainer
8	1							B-2209037	heater element 230V/ 2.25kW with sealing and mounting set, big diameter
8		1						B-2209029	heater element 230V/ 2.25kW with sealing and mounting set, big diameter
8			1					B-2209025	heater element <b>230V</b> / 4.5kW with sealing and mounting set, big diameter
8			1					B-2209021	heater element <b>400V</b> / 4.5kW with sealing and mounting set, big diameter
8				1				B-2209023	heater element 400V/ 6.75kW with sealing and mounting set, big diameter
8					2			B-2209001	heater element 400V/ 4.5kW with sealing and mounting set
8						2	3	B-2209003	heater element 400V/ 6.75kW with sealing and mounting set
	2	2	2	2				E-2205138	Gasket M14
					4	4	6	E-2204006	Gasket for heater element
	2	2	2	2				E-2205140	Mounting nut M14 for heater
					2	2	3	E-2204007	Mounting nut for heater
15	1	1	1	1				E-3216010	O-ring seal for cylinder flange
15					1	1	1	E-2206050	O-ring seal for cylinder flange
42	12	12	12	12	20	20	20	E-3216022	Clip
	1							B-3216015	O-ring set for HC02 Kit
		1	1	1				B-3216095	O-ring set for HC03-09 Kit
					1	1	1	B-3216097	O-ring set for HC06-27 Kit
5	1	1	1	1	1	1	1	B-2205031	Thermal sensor 1pole
	6	6	6	6	8	8	10	E-2205012	Clamp for thermal sensor 1pole
6	1	1	1	1	1	1	1	E-2205010	Gasket for thermal sensor 1pole
	1							E-3221002	Adapter for steam hose DN25
2		1	1	1	1	1	1	B-2205025	Adapter for steam hose DN40
	1							E-3221006	O-ring for steam hose adapter DN25
		1	1	1	1	1	1	E-2204022	O-ring for steam hose adapter DN40
12		1	1	1	1	1	1	E-2204035	condensate plug

*	HC02 Kit	HC03 Kit	HC06 Kit	HC09 Kit	HC12 Kit	HC18 Kit	HC27 Kit	Article No.	Description
<b>Water feed</b>									
14	1							E-2204096	Solenoid valve, 0.2-10 bar, 200-240VAC, 0.5 l/min
14		1	1	1				B-2304081	Solenoid valve, 0.2-10 bar, 200-240VAC, 1.2 l/min
14					1	1	1	B-2304043	Solenoid valve, 0.2-10 bar, 200-240VAC, 2.5 l/min
	1	1	1	1	1	1	1	E-2304024	Fine filter in solenoid valve inlet
	1	1	1	1	1	1	1	E-2304103	Captive coupling ring for solenoid valve 3/4"
	1	1	1	1	1	1	1	E-2304107	Gasket for inlet screwed fitting, solenoid
	1	1	1	1	1	1	1	E-8501034	Hose collar for inlet screwed fitting, 3/4" solenoid
32	1	1	1	1	1	1	1	E-2304036	Rubber seal solenoid valve - cabinet
	1	1	1	1	1	1	1	B-2304040	Mounting set for solenoid valve
31	0,3	0,3	0,3	0,3	0,4	0,4	0,4	E-2604002	Hose solenoid valve - cylinder
	1	1	1	1	1	1	1	E-2604044	Buckling protection for hose
	1	1	1	1	1	1	1	B-2504131	Water level control, compl with flow switch for control B/C/CP
								B-2504127	Water level control, compl with flow switch for easy control cylinder
29	1	1	1	1	1	1	1	E-2504144	Water level control, without flow switch
27	1	1	1	1	1	1	1	E-2525260	Flow switch incl. Sealings for control B/C/CP
43								E-2525262	Flow switch incl. Sealings for easy control
	1	1	1	1	1	1	1	E-2504146	Lid for water level control for easy control
28	1	1	1	1	1	1	1	E-2304058	Rubber seal for water level control (with HygroMatik control B/C/CP)
28	4	4	4	4	4	4	4	E-2304056	Rubber seal for water level control (easy control)
30	0,1	0,1	0,1	0,1	0,2	0,2	0,2	E-2604002	Hose, cylinder base - control cylinder
41	1	1	1	1	1	1	1	E-2604025	Hose connector 90°
3	0,3	0,4	0,4	0,04	0,6	0,6	0,6	E-2604002	Hose, water level control- cylinder
		6	6	6	6	6	6	E-2304015	Hose clamp DN12
		2	2	2	2	2	2	E-8501064	Hose clamp DN14,2
<b>Water Drain</b>									
11	1	1	1	1	1	1	1	E-2206086	Cylinder base for C, Hy, HC, DN40
13	1	1	1	1	1	1	1	E-2204022	O-Ring for cylinder base DN40
10	1	1	1	1	1	1	1	B-2404027	Drain pump 230V/ 50-60Hz without mounting set
	1	1	1	1	1	1	1	B-2424014	Mounting set for drain pump
	1	1	1	1	1	1	1	E-2404008	Drain pump housing
18	1	1	1	1	1	1	1	E-3220005	O-ring cylinder base - drain pump
21	1	1	1	1	1	1	1	E-3425002	Adapter, pump - drain house, angled DN25/13
17	1	1	1	1	1	1	1	E-3220005	O-ring for drain pump
7	1	1	1	1	1	1	1	E-2425004	Elbow with vent pipe
22	0,3	0,45	0,45	0,45	0,63	0,63	0,63	E-2604002	Hose, drain pump-elbow
23	0,35	0,55	0,55	0,55	0,6	0,6	0,6	E-2604004	Drain hose, elbow-outlet
	1							B-3401027	Drain hose system for HC02 Kit
		1	1	1				B-3401035	Drain hose system for HC03-09 Kit, consisting of pos. 7, 17, 21, 22, 23
					1	1	1	B-3401037	drain hose system for HC06-27 Kit, consisting of pos. 7, 17, 22, 23

*	HC02 Kit	HC03 Kit	HC06 Kit	HC09 Kit	HC12 Kit	HC18 Kit	HC27 Kit	Article No.	Description
									<b>Control</b>
	1	1	1	1	1	1	1	E-2525154	Terminal 3-pole
	1	1	1	1	1	1	1	E-2525156	Terminal 4-pole
	1	1	1	1	1	1	1	E-2525158	Terminal 5-pole
	1	1	1	1	1	1	1	E-2525150	Terminal 6-pole
	4	4	4	4	4	4	4	E-3504070	Standoff for pcb
	1	1	1	1	1	1	1	E-2525252	Solid state relais 25 A, 1ph., cooling device 150 x
									<b>Basic</b>
		1	1	1	1	1	1	B-2526203	Elektronic pcb type Basic
								B-2526203	Elektronic pcb type Basic for Slave-units
		(1)	(1)	(1)	(1)	(1)	(1)	B-2526213	Elektronic pcb type Basic for HC steam bath
		1	1	1	1	1	1	B-2120901	Mounting plate with foil for Basic (without display)
		(1)	(1)	(1)	(1)	(1)	(1)	B-2120909	Mounting plate with foil for Basic DS (without display)
		(1)	(1)	(1)	(1)	(1)	(1)	B-2526301	Relais pcb for Basis pcb
									<b>Comfort</b>
		1	1	1	1	1	1	B-2526203	Elektronic pcb type Basic
								B-2526203	Elektronic pcb type Basic for Slave-units
		(1)	(1)	(1)	(1)	(1)	(1)	B-2526213	Elektronic pcb type Basic for HC steam bath
		(1)	(1)	(1)	(1)	(1)	(1)	B-2526401	Comfort display incl. mounting plate with foil
		(1)	(1)	(1)	(1)	(1)	(1)	B-2526445	Comfort display incl. mounting plate with foil steam bath
		(1)	(1)	(1)	(1)	(1)	(1)	B-2120903	Mounting plate with foil for Comfort unit (without display)
		(1)	(1)	(1)	(1)	(1)	(1)	B-2120911	Mounting plate with foil for Comfort unit for steam bath DS (without display)
									<b>Comfort Plus</b>
		1	1	1	1	1	1	B-2526203	Elektronic pcb type Basic
								B-2526203	Elektronic pcb type Basic for Slave-units
		(1)	(1)	(1)	(1)	(1)	(1)	B-2526213	Elektronic pcb type Basic for HC steam bath
		(1)	(1)	(1)	(1)	(1)	(1)	B-2526403	Comfort Plus Display incl. Mounting plate and foil
		(1)	(1)	(1)	(1)	(1)	(1)	B-2120905	mounting plate with foil for Comfort Plus unit (without display)
			(1)	(1)	(1)	(1)		B-2120907	Comfort Plus Display incl. mounting plate for steam bath
		(1)	(1)	(1)	(1)	(1)	(1)	B-2526447	Comfort plus display incl. mounting plate with foil steam bath
									<b>Accessories</b>
								E-2604034	Reducing piece DN40/DN25 for steam hose
								E-2604012	Steam hose DN25, per m
								E-2604013	Steam hose DN40, per m
								E-2604002	Condensate hose DN12, per m
								E-2404004	Steam hose clamp DN25
								E-2604016	Steam hose clamp DN40
								E-2304015	Condensate hose clamp DN12
								E-2604042	Steam manifold piece DN25, stainless steel
								E-2604023	Steam manifold piece DN40, stainless steel
								E-2604021	Condensate connector T-piece DN12
3			1	1	1	1	1	E-2604021	T-piece condensate manifold, type TS12, DN12
								E-2604029	hose nozzle DN 25 - R 3/4"
58		2	2	2	2	2	2	E-2604094	Double check valves
								B-2604025	steam solenoid valve 0-0,4 bar, compl. for steam hose DN 25
								B-2604040	steam solenoid valve 0-0,4 bar, compl. for steam hose DN 40

If you order any spare parts, specify type and serial number of the unit, please.

\* see exploded view