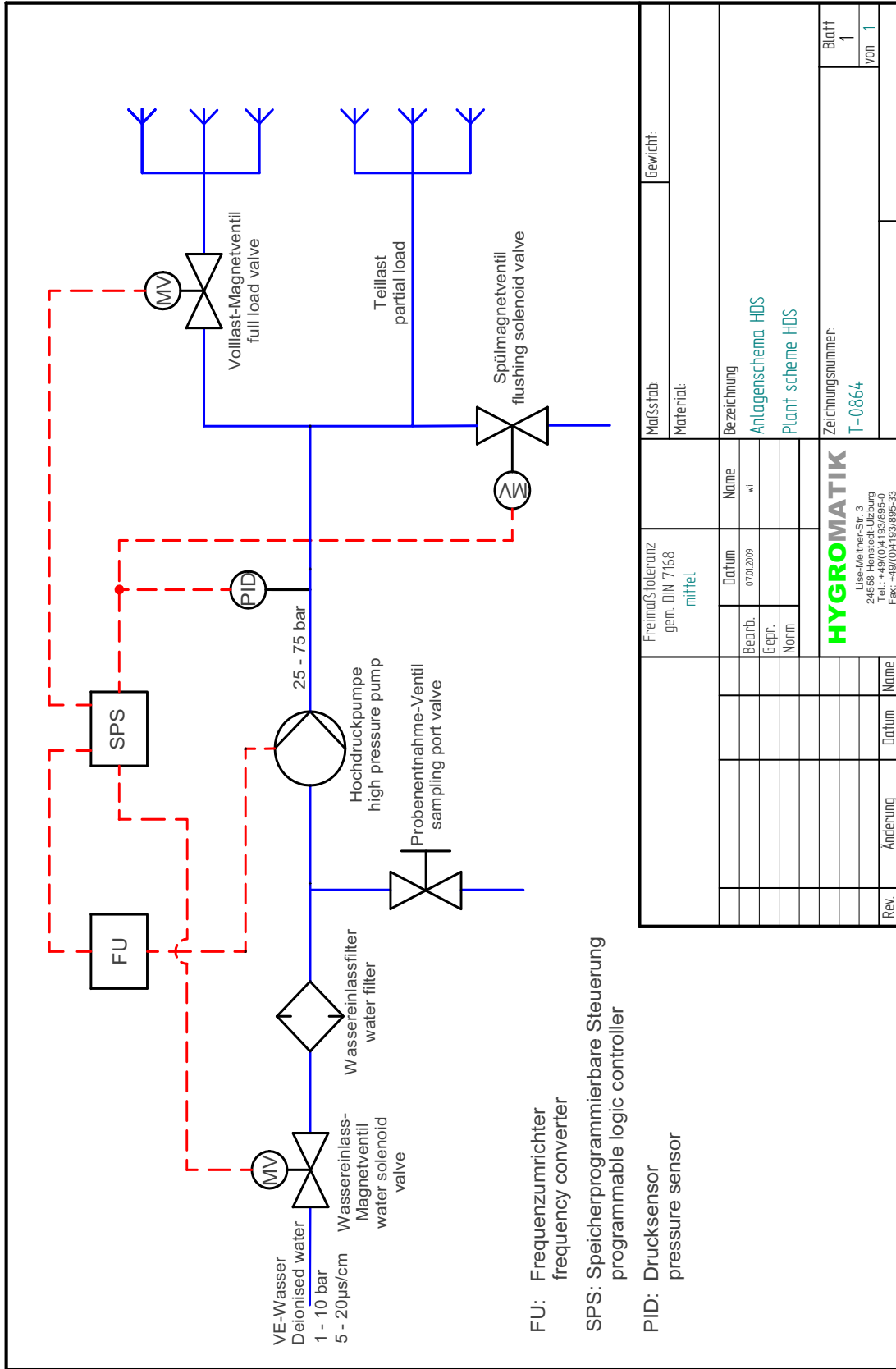


# Schéma



Maßstab:			
Materiale:			
Bezeichnung	Anlagenschema HDS		
	Plant scheme HDS		
Zeichnungsnummer:	T-0864		
Blatt	1		
Von	1		
Freimaßtoleranz gem. DIN 7168	mittel		
Name	wi		
Datum	07.02.2009		
Bearb.			
Gepr.			
Norm			
<b>HYGROMATIK</b>			
Lise-Matier-Str. 3 24558 Hemstedt-Litzburg Tel.: +49(0)41939895-0 Fax: +49(0)41939895-33			
Rev.	Änderung	Datum	Name

## Náhradní díly

HDS-1100-P	HDS-2200-P	Article-No.	Pump Station
x		E-7703020	motor, 1.1 KW 230/400V-50 Hz ; 1400 rpm
	x	E-7703040	motor, 2.2 KW 230/400V-50 Hz ; 1400 rpm
x		B-7773151	Pump, highpressure EH 2009 incl. automatic press.contr., clutch, covering
	x	B-7773155	Pump, highpressure EH 1416 incl. automatic press.contr., clutch, covering
x		E-7703100	pump, highpressure EH2009 without adapting devices drive left sided adaption press.contr. left sided
	x	E-7703110	pump, highpressure EH1416 without adapting devices drive left sided adaption press.contr. left sided
x		E-7703150	flange bowl for EH 2009 housing-connect. pump to motor
	x	E-7703152	flange bowl for EH 1416 housing-connect. pump to motor
x		E-7703170	coupling for EH 2009 drive-axis motor to pump
	x	E-7703172	coupling for EH 1416 drive-axis motor to pump
		B-7773177	pressure control valve, autom. EH2009 &EH1416 high press.pump contains HP- & LP-adaption max. 200 bar, max. 50 l/min
		K-WTB175-810	float switch
		E-7702010	mounting hook: level control
		E-7774312	Water pan for HDS
		E-7706060	Hose, high pressure, DN 8 mm length 0,7 m from pump to highpressure valves
		E-7600184	Hose type PA, black, 10x8 (Piece goods)
		E-7702200	protection grill, cabinet fan HDS, incl. filter inlay 120 x 120 mm
		E-7621028	Filter element 10" filter quality 10 µm for water-prefilter HP-pumpstation
		E-7705200	Water filter housing, 10" bothside connection 3/4" iD blue sump, pressure release button
		E-7601618	Manometer, 0-10 bar, for control unit CU D=40mm, rear connection G1/8"
		E-7601626	Hose, PA, black, 4x2 for control unit CU (Piece goods)
		E-7701050	Solenoid valve HDS 220 - 240 V, 50 - 60 Hz 3/4"m - 3/4"m waterinlet
		E-7704510	Coil for HiPres-solenoid valve 230V 50-60Hz
		E-7701100	Solenoid valve, highpressure 2-100 bar for HDS-system
		E-7703044	Fan 230V, 150x172x38 mm, 300m³/h
		E-7703046	Fan covering incl. filter
x		E-7704100	Frequency converter 1,1kW 230V/1ph./N - 230V/3ph
	x	E-7704110	Frequency converter 2,2 kW 230V/1ph./N - 230V/3ph
x		E-7704148	Radio interference sup. filter suppression filter ; 1,1kW HPS 230V/1ph./N
	x	E-7704150	Radio interference sup. filter suppression filter ; 2,2kW HPS 230V/1ph./N
		E-7704316	Power supply HDS control 230VAC/24VDC 15W
		E-2507046	main contactor 20A(AC1) DILM7 for HDS 1100-2200 coil 24V DC rated voltage 690V
		B-2504025	Auxiliary relay 24V DC 1 switching contact
		E-2505206	Safety fuse 1,6A 5x20mm
x		E-7704610	Line safety switch 16A 1-pole , B-characteristics
	x	E-7704630	Line safety switch 32A 1-pole , B-characteristics
		E-7704320	CPU-unit 822 for HDS
		E-7704308	CPU-unit NT for multifunc.display HDS
		E-7704300	multifunktion display display & keyboard for HDS and VD

HDS-1100-P	HDS-2200-P	Article-No.	Pump Station
x		E-0605001	Main switch 25 A
	x	E-0605002	Main switch 32 A
		E-7702200	protection grill, cabinet fan HDS, incl. filter inlay 120 x 120 mm
		E-7704870	Thermal circuit breaker ; NC with automatic reset, switching point at 50°C ± 5K
		E-7704950	Resistor, 1000 Ohm +/- 5%, 0,25 Watt
		E-7705620	Bypass valve for HDS-system 1/4" female - 1/4" female
			<b>Spare parts for Pump</b>
1		E-7621026	Repair kit KIT 123 to consist of 6 valves for highpressure pump EH2009 (pf100/pf250)
1		E-7621098	Repair kit KIT 160 seals (water) highpressure pump EH2009 (pf100/pf250)
3		E-7621022	Repair kit KIT 166 seals and metal parts highpressure pump EH2009 (pf100/pf250)
1		E-7621032	O-ring 55,56x3,53 for highpressure pump EH2009 sealing pump shaft (oil)
3		E-7621260	shaft seal crankcase for high pressure pump EH2009 18 x 26 x6 mm, 3 parts nessesary
1		E-7621262	oil dipstick for high pressure pump EH2009
1		E-7621254	gasket oil sump for high pressure pump EH2009, 101,27 x 2,62 mm
1		E-7621238	O-ring 10,82 x 1,78mm sealing for oil drain for pump EH2009
3		E-7621256	gasket piston for high pressure pump EH2009 5,28 x 1,78 mm
3		E-7621030	Piston, ceramics for high pressure pump EH2009
1		E-7621220	Drive shaft seal for high pressure pump EH2009 (oil sided)
1		E-7621258	gasket sight glass for high pressure pump EH2009 26,58 x 3,53 mm
		E-7621224	Special oil for high pressure pumps canister contains 1 liter
			<b>Vortex-wall</b>
		E-7701000	Vortex module
		B-7771301	Sealing set, complete for distribution pipe incl. sealing cone and nut
		E-7700550	Blind cap for distributor pipe tightening blind cap without nut
		E-7700554	nut of ferrule fitting at blind cap(distributor pipe) without tightening element
		E-7700556	Closing female fitting 3/8" to close end of distrib. tube
		E-7701010	nozzle holder for high pressure system without o-ring
		E-7621020	O-ring for nozzle holder for highpressure nozzle system 12 x 3 mm
		E-7621024	Filter for HDS nozzles
		E-7621006	Nozzle, highpressure PJ6, 7,2l/h, for hds systems
		E-7621076	O-Ring 5 x 2 mm between nozzle and nozzle holder
		E-7706040	Hose, high pressure, DN 4 mm, length 370 mm, connection distributor pipe - nozzle
		E-7706042	Hose, high pressure, DN 4 mm, length 440 mm, connection distributor pipe - nozzle
		E-7706044	Hose, high pressure, DN 4 mm, length 640 mm, connection distributor pipe - nozzle
		E-7706046	Hose, high pressure, DN 4 mm, length 820 mm, connection distributor pipe - nozzle
		E-7706048	Hose, high pressure, DN 4 mm, length 960 mm, connection distributor pipe - nozzle
		E-7706050	Hose, high pressure, DN 4 mm, length 1130 mm, connection distributor pipe - nozzle
		E-7706052	Hose, high pressure, DN 4 mm, length 1330 mm, connection distributor pipe - nozzle
		E-7706054	Hose, high pressure, DN 4 mm, length 1750 mm, connection distributor pipe - nozzle

HDS-1100-P	HDS-2200-P	Article-No.	Pump Station
			<b>Hose, high pressure, DN 8 mm</b>
		E-7706062	Hose, high pressure, DN 8 mm, length 2 m to connect pump station and nozzle collector pipe for HDS-systems
		E-7706064	Hose, high pressure, DN 8 mm, length 2,5 m to connect pump station and nozzle collector pipe for HDS-systems
		E-7706066	Hose, high pressure, DN 8 mm, length 4 m to connect pump station and nozzle collector pipe for HDS-systems
		E-7706068	Hose, high pressure, DN 8 mm, length 6 m to connect pump station and nozzle collector pipe for HDS-systems
		E-7706070	Hose, high pressure, DN 8 mm, length 8 m to connect pump station and nozzle collector pipe for HDS-systems
		E-7706072	Hose, high pressure, DN 8 mm, length 10 m to connect pump station and nozzle collector pipe for HDS-systems
		E-7706074	Hose, high pressure, DN 8 mm, length 14 m to connect pump station and nozzle collector pipe for HDS-systems