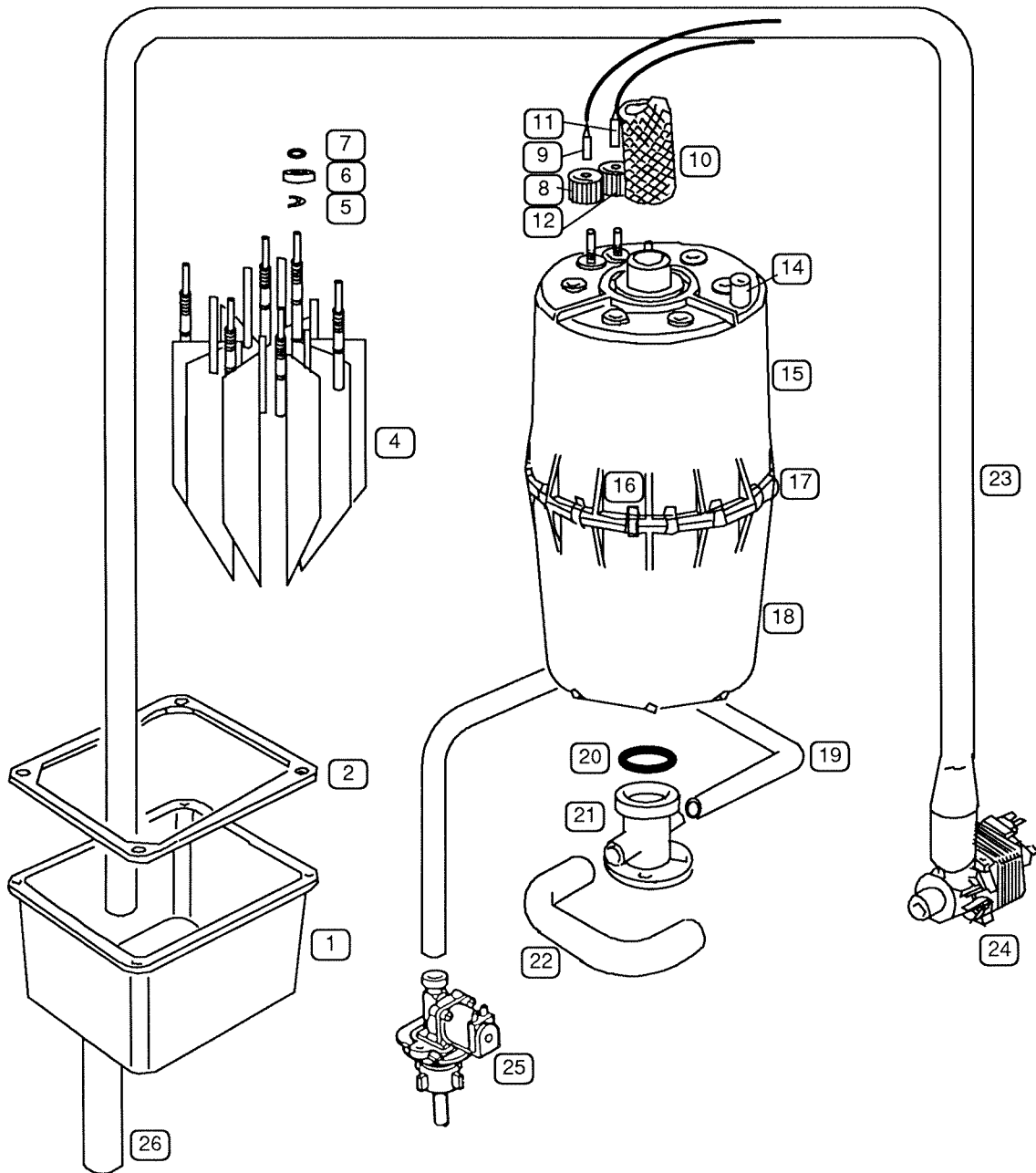


## 5.1 Explosion View



*	DB..LD				Art. Nr.	Description
	4-8	10-17	23-30	45		
						<b>Cabinet</b>
	1		1		B-3120403	Cabinet, excl. electric blind, beige, green, empty
		1			B-2120503	Cabinet, excl. electric blind, beige, green, empty
				1	B-2121002	Cabinet, excl. electric blind, beige, green, empty
	1				E-3120419	Front panel for steam section
		1	1		E-2120519	Front panel for steam section
				1	E-2121019	Front panel for steam section
	1				E-3120420	Front panel for electric section, excl. electric blind
		1	1		E-2120520	Front panel for electric section, excl. electric blind
				1	E-2121020	Front panel for electric section, excl. electric blind
	1	1	1	1	E-2124014	Safety lock for electric panel DB4-90 and steam panel DB60,90
	1	1	1	1	E-2124016	Safety lock for steam panel DB4-45
	2	2	2	2	E-2124015	Key for safety lock (per set = 2 pc.)
	1	1	1	1	E-2120102	Grip for electric panel DB4-90 / steam panel DB60,90, green, without lock
	1	1	1	1	E-2120101	Grip for steam panel DB4-45, green, without lock
	1				B-3126010	Complete set of cable entry fittings for connecting cable
		1	1		B-2125016	Complete set of cable entry fittings for connecting cable
				1	B-2127014	Complete set of cable entry fittings for connecting cable
	1				E-3120409	Blind electric panel, LD-electronic
		1	1		E-2120509	Blind electric panel, LD-electronic
				1	E-2121009	Blind electric panel, LD-electronic
	3	3	3	3	E-2120001	Screw M4 for mounting grip E-2120102
	5	5	5	5	E-2505123	Plastic cap nut M3 for mounting electric and steam blind
	1	1	1	2	E-2120002	Blind plug for hole in the steam part bottom
						<b>Steam Generation</b>
	1				B-3204031	Steam cylinder CY 8 transp. compl. with electrodes, ready for installation
		1			B-2204101	Steam cylinder CY17 transp. compl. with electrodes, ready for installation
			1		B-2204105	Steam cylinder CY30 transp. compl. with electrodes, ready for installation
				1	B-2204109	Steam cylinder CY45 transp. compl. with electrodes, ready for installation
15	1				E-3226005	Top part of steam cylinder, DN 25/12, empty
15		1			E-2206068	Top part of steam cylinder, DN 25/12, empty
15			1		E-2206069	Top part of steam cylinder, DN 40/12, empty
15				1	E-2207001	Top part of steam cylinder, 2xDN 40/12, empty
18	1				B-3216007	Lower part of steam cylinder, compl. with strainer
18		1			B-2206046	Lower part of steam cylinder, compl. with strainer
18			1		B-2206071	Lower part of steam cylinder, compl. with strainer
18				1	B-2207002	Lower part of steam cylinder, compl. with strainer
	1				B-3204025	Top part of steam cylinder, compl. with electrodes for CY8
		1			B-2204095	Top part of steam cylinder, compl. with electrodes for CY17
			1		B-2204099	Top part of steam cylinder, compl. with electrodes for CY30
				1	B-2204079	Top part of steam cylinder, compl. with electrodes for CY45
17	1				E-3216010	O-ring seal for cylinder flange, transparent cylinder
17		1			E-2206050	O-ring seal for cylinder flange, transparent cylinder
17			1		E-2206051	O-ring seal for cylinder flange, transparent cylinder
17				1	E-2207011	O-ring seal for cylinder flange, transparent cylinder
20	1				E-3216011	O-ring seal for cylinder base
20		1	1	1	E-2204022	O-ring seal for cylinder base
4	1				B-2204021	Electrodes, compl. without Hand nuts for CY8, Set=3pc.
4		1			B-2204087	Electrodes, compl. without Hand nuts for CY17, Set=3pc.

\*Pos. - Nr. Diagram 5.1

03.07.1996 DB-LD 5.3

*	DB..LD				Art. Nr.	Description
	4-8	10-17	23-30	45		
<b>Steam Generation</b>						
4			1		B-2204089	Electrodes, compl. without Hand nuts for CY30, Set=6pc.
4				1	B-2204091	Electrodes, compl. without Hand nuts for CY45, Set=6pc.
	1				B-3204029	Sensor electrode, compl. without Hand nut, max. limitation
		1	1	1	B-2204073	Sensor electrode, compl. without Hand nut, max. limitation
6	3				E-3204010	Retainer for O-ring, electrode
6		3	6		E-2204062	Retainer for O-ring, electrode
6				6	E-2204064	Retainer for O-ring, electrode
5	3				E-3204022	Safety washer RA5.0 for electrode
5		3	6		E-2204086	Safety washer RA6.0 for electrode
5				6	E-2204088	Safety washer RA8.0 for electrode
7	3				E-3216018	O-ring electrode, 5mm
7		3	6		E-2204020	O-ring electrode, 8mm
7				6	E-2207012	O-ring electrode, 10mm
	1	1	1	1	E-3204010	Retainer for O-ring, sensor electrode
	1	1	1	1	E-3204022	Safety washer RA5.0 for sensor electrode
	1	1	1	1	E-3216018	O-ring sensor electrode 5mm
8	1				E-3204014	Hand nut for electrode fastening, M6, colour: red
8	1				E-3204016	Hand nut for electrode fastening, M6, colour: black
8	1				E-3204018	Hand nut for electrode fastening, M6, colour: grey
8		1	2		E-2204068	Hand nut for electrode fastening, M8, colour: red
8		1	2		E-2204070	Hand nut for electrode fastening, M8, colour: black
8		1	2		E-2204072	Hand nut for electrode fastening, M8, colour: grey
8				2	E-2204074	Hand nut for electrode fastening, M10, colour: red
8				2	E-2204076	Hand nut for electrode fastening, M10, colour: black
8				2	E-2204078	Hand nut for electrode fastening, M10, colour: grey
12	1	1	1	1	E-3204018	Hand nut for sensor electrode fastening, M6, colour: grey
11	1	1	1	1	E-3216025	Plug-in contact with insulating hose for sensor electrode
9	3				E-3216024	Plug-in contact with insulating hose for electrode
9		3	6		E-2206059	Plug-in contact with insulating hose for electrode
9				6	E-2207016	Plug-in contact with insulating hose for electrode
16	12	18	24	24	E-3216022	Clamp for flange of transparent cylinder
	1	1	1	1	E-2204023	Drain filter
21	1				E-3216050	Base for steam cylinder
21		1	1	1	E-2206052	Base for steam cylinder
	2	2	2	2	E-2204034	Plastic cap-nut M5 for mounting cylinder base
14	1	1	1	1	E-2204035	Condensate plug
<b>Water Feed</b>						
	2	2	2	2	E-2304015	Clamp for connecting hose solenoid valve - cylinder base, d= 12mm
19	1				B-3326002	Connecting hose, solenoid valve - cylinder base, l=1000mm
19		1	1		B-2325013	Connecting hose, solenoid valve - cylinder base, l=1445mm
19				1	B-2327000	Connecting hose, solenoid valve - cylinder base, l=1800mm
25	1				B-2304017	Solenoid valve, servo controlled, straight type, 0,2-10bar, 2,5l/min.
25		1	1	1	B-2307001	Solenoid valve, servo controlled, straight type, 0,2-10bar, 3,5l/min.
	1	1	1	1	E-2304029	Fine filter in the inlet fitting of solenoid valve
	1				E-3320400	Flow rate controller 2.5l/min.
		1	1	1	E-2321100	Flow rate controller 3.5l/min.
	1	1	1	1	E-2304036	Rubber seal solenoid valve - cabinet
	1	1	1	1	E-2304031	Servo controlled membrane for solenoid valve

*	DB..LD				Art. Nr.	Description
	4-8	10-17	23-30	45		
	1	1	1	1	B-2304038	Valve piston with springs
	1	1	1	1	B-2304039	Piston coating, valve cover, coil-spring
	1	1	1	1	E-2304034	Solenoid valve coil with bayonet fitting, 230V/50-60Hz
	1	1	1	1	B-2304024	Threaded inlet fitting for solenoid valve, pipe d=10mm,
	1	1	1	1	B-2304030	Plastic union nut with seal for inlet fitting solenoid valve
<b>Water Drain</b>						
	1				E-3616006	Clamp for drain hose, from cylinder base to drain pump
	2	3	3	3	E-2404004	Clamp f. drain hose, from cyl. base to drain pump DB10-90/pump DB4-90
22	1				E-2403995	Drain hose from base to drain pump
22		1	1		E-2404002	Drain hose from base to drain pump
22				1	E-2407001	Drain hose from base to drain pump
24	1	1	1	1	B-2404005	Drain pump without mounting set
	1	1	1	1	E-2404008	Cover for drain pump
	1	1	1	1	E-2404009	Impeller for drain pump
	1	1	1	1	E-2404006	O-Ring seal for drain pump
	1	1	1	1	E-2404007	Shaft seal for drain pump
	1	1	1	1	B-2424014	Mounting set for drain pump
	1	1	1	1	E-3416003	Fastening clamp for drain hose
23	1				E-3426009	Pump drain hose DN15, L=900mm
23		1	1		E-2424003	Pump drain hose DN15, L=1445mm
23				1	E-2427000	Pump drain hose DN15, L=1670mm
2	1	1	1	1	E-2420426	Sealing for tundish
1+2	1	1	1	1	B-2420421	Tundish for drain water, incl. seal
	2	2	2	2	E-2420427	Nut for mounting tundish
	1	1	1	1	E-2404004	Clamp for tundish hose
26	1	1	1	1	E-2420425	Drain hose for tundish, DN1 inch, per m
<b>Electronic</b>						
	1	1	1	1	B-3524062	L-electronic pcb compl. with module holder
	1	1	1	1	E-2525121	Cover for electronic pcb
	1	1	1	1	B-2525122	Mounting set for cover
	1	1	1	1	B-2502400	Control switch, single pole, incl. protecting cap
	1				E-2501005	Main contactor 16A, 230V
		1			E-2501006	Main contactor 20A, 230V
			1		E-2505007	Main contactor 40A, 230V
				1	E-0505009	Main contactor 63A. 230V
	2	2	2	2	E-2525151	Transformer 230V/9V, 15VA
	2	2	2	2	E-2504039	Control fuse 5A, 5x20 mm
	1				B-3520001	Connecting cable terminal block - main contactor, set=3pc
		1			B-2524044	Connecting cable terminal block - main contactor, set=3pc
			1		B-2524045	Connecting cable terminal block - main contactor, set=3pc
				1	B-2527011	Connecting cable terminal block - main contactor, set=3pc
	1				B-3526013	Connecting cables for electrodes with plug-in contact, set=3pc
		1			B-2524035	Connecting cables for electrodes with plug-in contact, set=3pc
			1		B-2524036	Connecting cables for electrodes with plug-in contact, cylinder1, set=6pc
				1	B-2527009	Connecting cables for electrodes with plug-in contact, cylinder1, set=6pc
	1				B-2525201	Main wire loom DB..LD
		1	1		B-2525202	Main wire loom DB..LD
				1	B-2525203	Main wire loom DB..LD
	1	1	1	1	E-3516010	Operation control lamp, "green", 230V

*	DB..LD				Art. Nr.	Description
	4-8	10-17	23-30	45		
	1	1	1	1	E-3516011	LED "red" for cylinder max. level
	1				B-3522481	Terminal block complete for LD-electronic
		1			B-2524084	Terminal block complete for LD-electronic
			1		B-2524085	Terminal block complete for LD-electronic
				1	B-2524086	Terminal block complete for LD-electronic
	1				B-3524001	Wire loom signal lamp control
		1	1		B-2524002	Wire loom signal lamp control
				1	B-2524003	Wire loom signal lamp control
	1	1	1	1	E-3524070	Signal output pcb for collective fault
<b>Steam bath - electronic</b>						
	1	1	1	1	B-2525214	Steam bath control IIIa
	1	1	1	1	E-0605221	Temperature sensor for steam bath control lg:3m
	1	1	1	1	B-2505207	Holder for temperature sensor, incl. set screw and fittings
	3	3	3	3	E-2505206	Replacement safety elements for light, fan, essence 1.6A, 5x20mm
	2	2	2	2	E-2525151	Transformer 230/9V for steam bath control
	1	1	1	1	E-2504154	Transformer 230V/24V/130VA
	1	1	1	1	E-0605223	Remote temperature display
	1	1	1	1	E-3504051	Terminal row with safety element
	1	1	1	1	E-2505216	Set screw M4x12, DIN 551, V2A, for mounting temperature sensor
	2	2	2	2	E-2505217	Metal screw 3,9x19, DIN 7981, V2A, for mounting temp. sensor holder
<b>Essence injector</b>						
	1	1	1	1	B-2605000	Essence injector, complete
	1	1	1	1	B-2304014	Solenoid valve for essence injection, 24V/50-60Hz
	1	1	1	1	B-2304030	Captive coupling ring for solenoid valve with seal
	1	1	1	1	E-8301010	Holder for solenoid valve
	1	1	1	1	E-2605001	Essence receptacle for sauna control
	1	1	1	1	E-2605002	Wall console for essence injector
	1	1	1	1	E-2204009	Connecting piece 1/4"
	1	1	1	1	E-2204043	Nut 1/4" for connecting piece E-2204009
	1	1	1	1	E-2204044	Seal 1/4" for connecting piece E-2204009
	2	2	2	2	E-2304015	Hose clamp ø10-16mm
	1	1	1	1	E-8501035	Woven hose 13x3.5mm, lg.:600mm
<b>Accessories</b>						
10	x	x			E-2604012	Steam hose DN 25, per m
10			x	x	E-2604013	Steam hose DN 40, per m
13	x	x	x	x	E-2604014	Condensate hose DN 12, per m
	x	x			E-2404004	Steam hose clamp DN 25
			x	x	E-2604016	Steam hose clamp DN 40
	x	x	x	x	E-2304015	Condensate hose clamp
	x	x			E-2604019	Steam manifold T-Stück DN 25
			x	x	E-2604020	Steam manifold T-Stück DN 40
	x	x	x	x	E-2604021	Condensate manifold T-Stück DN 12
	x	x			B-2604026	Steam solenoid valve 0-0,4 bar, compl. for steam hose DN 25
			x	x	B-2604040	Steam solenoid valve 0-0.4 bar, compl. for steam hose DN 40
	x	x			E-2604029	Hose sleeve DN25
	x	x			E-2604030	90 degree elbow, DN25, for extremely small radius
			x	x	E-2604036	90 degree elbow, DN40, for extremely small radius
					E-2604031	Reducing piece DN 40/DN 25